



TRANSMISSION GEARS CATALOGUE



**PASSENGER CAR
LIGHT COMMERCIAL
DIVISION**



INDEX

INDEX

VOLKSWAGEN-AUDI-SEAT-SKODA GEARBOXES

085 Gearbox	06
0A4 Gearbox	08
0A5 Gearbox	10
0AJ Gearbox	12
02T Gearbox	14
02U Gearbox	16
02Z Gearbox	18
0AM Gearbox	24
0B7 Gearbox	26
02B Gearbox	28
02G Gearbox	30
02K Gearbox	34
09K Gearbox	36
02M Gearbox	38
02N Gearbox	40
2E0 Rear Axle	42
2D0 Differential	44
0BT Gearbox	46
0AQ Transfer Case	48
0C6 Gearbox	50
0C7 Transfer Case	52

FORD GEARBOXES

MT-75 Gearbox	56
MT-82 Gearbox	60
VMT6 Gearbox	62
MPS6 Gearbox	64

CITROEN-FIAT-PEUGEOT GEARBOXES

MA Gearbox	68
MA 5 Gearbox	70
BE 3 Gearbox	72
BVM ME Gearbox	74
BVM6 Gearbox	76
C510 Gearbox	80
MLGU Gearbox	82
MG5T Gearbox	86
M40 Gearbox	88

OPEL-RENAULT GEARBOXES

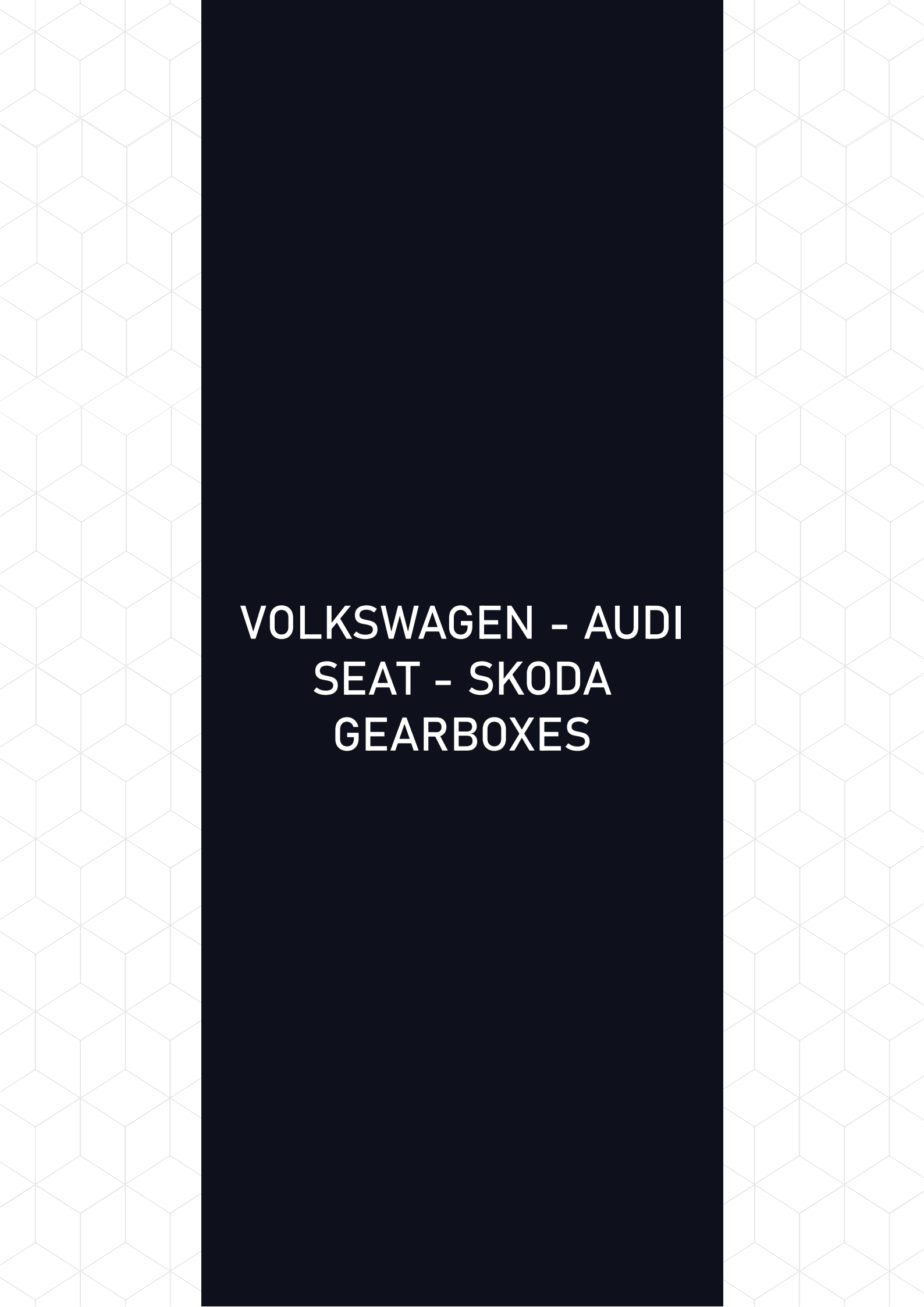
M32 Gearbox	92
F17 Gearbox	94
F18 Gearbox	96
PK5 Gearbox	98
PK6 Gearbox	100
PF6 Gearbox	102

OTHER GEARBOXES

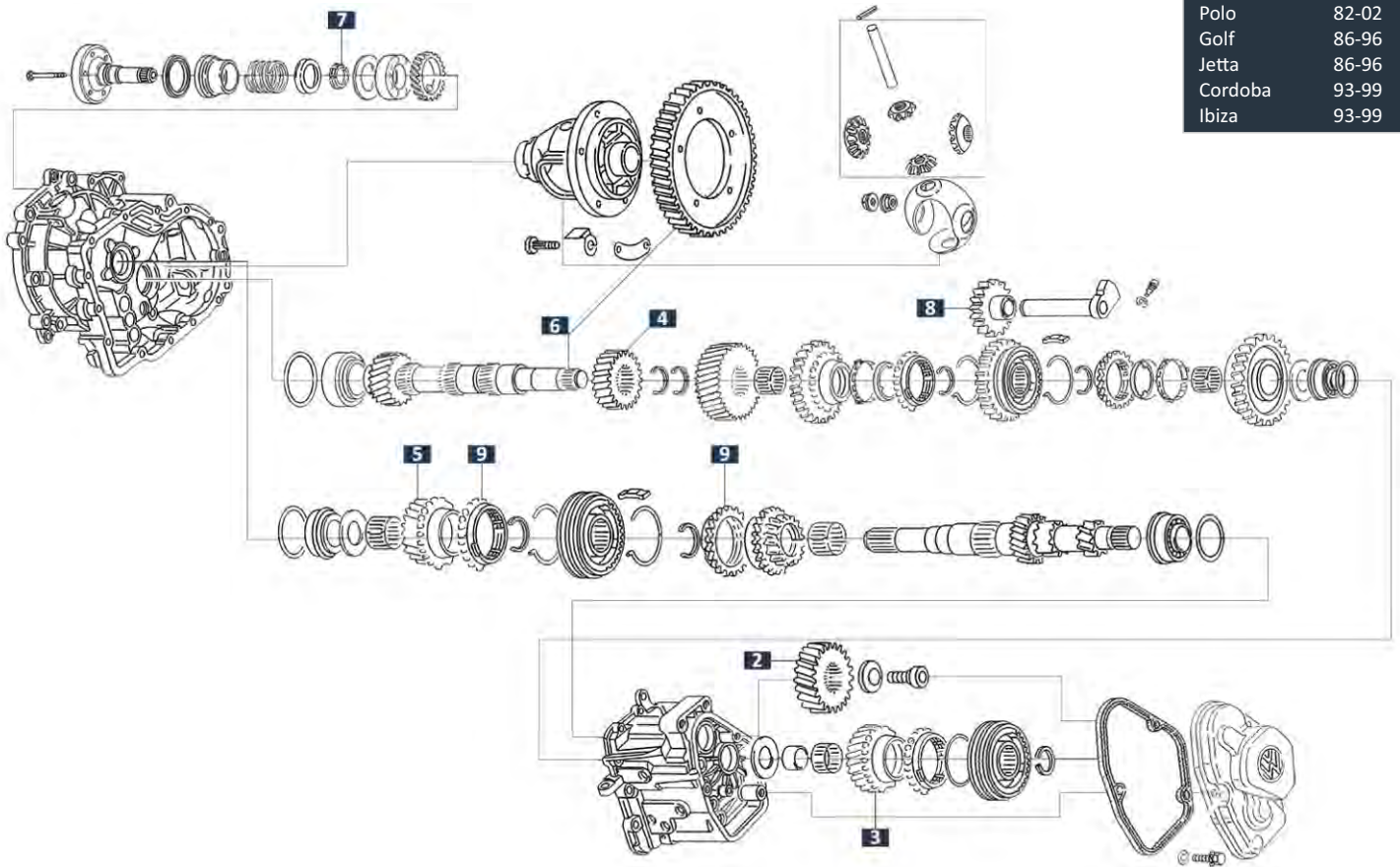
Toyota C50-C52 Gearbox	106
Nissan Primera Gearbox	110
Nissan Almera Gearbox	112
Hyundai Accent Gearbox	116



www.rpn.com.tr



**VOLKSWAGEN - AUDI
SEAT - SKODA
GEARBOXES**



Common Vehicles	
Polo	82-02
Golf	86-96
Jetta	86-96
Cordoba	93-99
Ibiza	93-99

HEMA NUMBER	SRT REFERENCE	OEM REFERENCE	PART NAME	TOOTH COUNT	COUNTER GEAR	REMARKS
2	04.100.015	85311361	5th Speed Gear	50	04.100.020	
3	04.100.020	085311158D	5th Speed Gear	37	04.100.015	
4	04.100.065	085311351H	4th Speed Gear	42	04.100.070	
5	04.100.070	085311145L	4th Speed Gear	45	04.100.065	
6	04.100.040	85311582	5th Speed Securing Clip			
7	04.100.200	084409374A	Tapered Ring			
8	08.100.010	085311529	Reverse Gear	28		
9	08.100.240	084311295B	3rd / 4th Speed Synchronizer Ring			

2 RPN Reference: 04.100.015



3 RPN Reference: 04.100.020



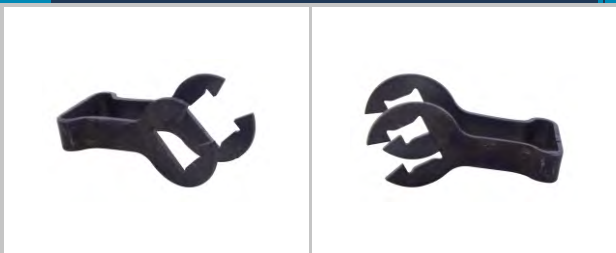
4 RPN Reference: 04.100.065



5 RPN Reference: 04.100.070



6 RPN Reference: 04.100.040



7 RPN Reference: 04.100.200

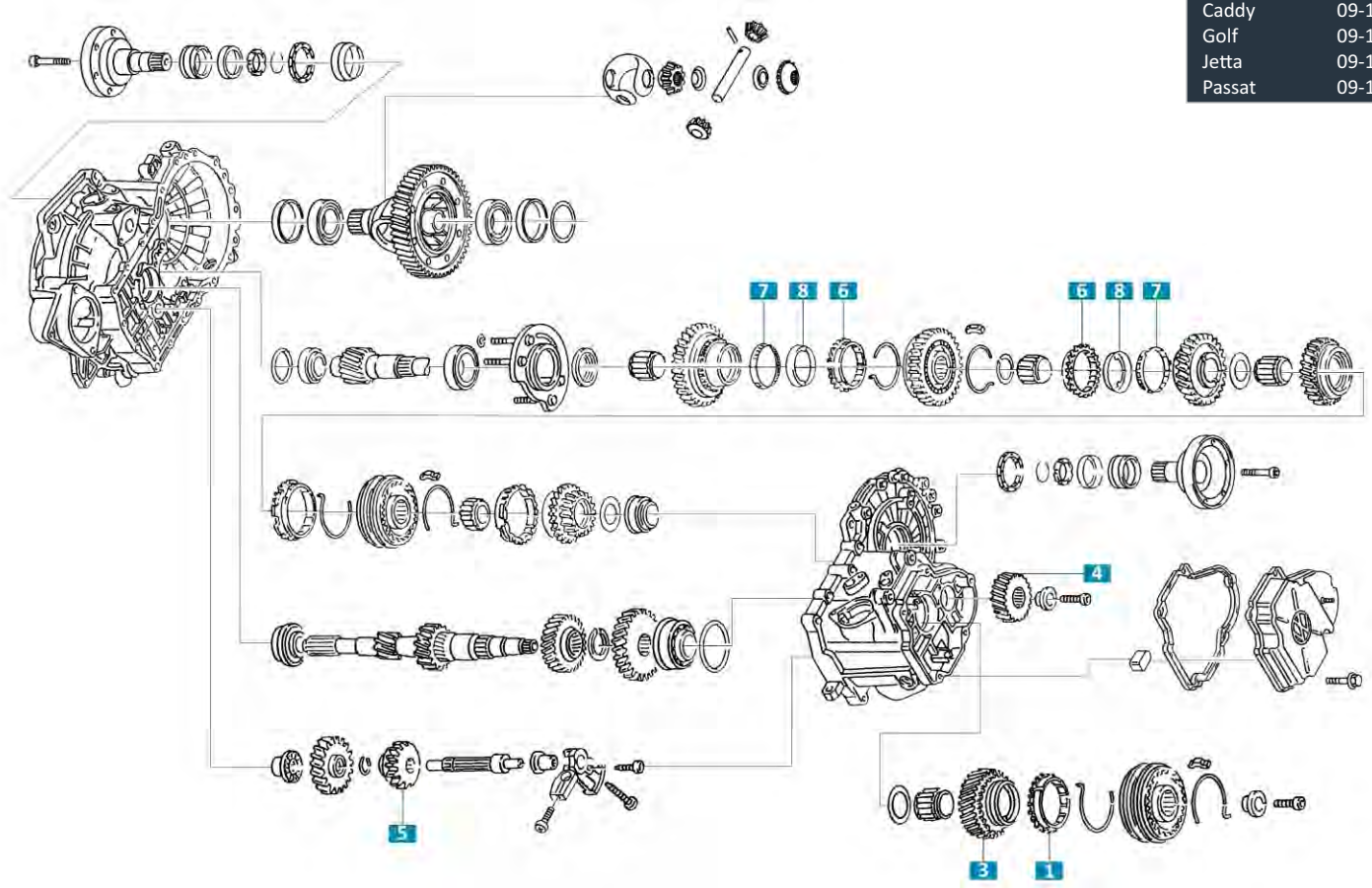


8 RPN Reference: 08.100.010



9 RPN Reference: 08.100.240





Common Vehicles	
Caddy	09-14
Golf	09-14
Jetta	09-16
Passat	09-16

SEMA NUMBER	RPN REFERENCE	OEM REFERENCE	PART NAME	TOOTH COUNT	COUNTER GEAR	REMARKS
1	08.100.200	02J311295C	5th Speed Synchronizer Ring			
3	16.100.300	0A4311158	5th Speed Gear	47	16.100.310	
4	16.100.310	02A311361BM	5th Speed Gear	31	16.100.300	
5	24.100.040	02A311531K	Reverse Gear	20		
6	25.100.040	02J311247D	1st / 2nd Speed Synchronizer Ring			Outer Part
7	25.100.401	02J311277B	1st / 2nd Speed Synchronizer Ring			Inner Part
8	25.100.402	03J311279	1st / 2nd Speed Synchronizer Ring			Middle Part

1 RPN Reference: 08.100.200



3 RPN Reference: 16.100.300



4 RPN Reference: 16.100.310



5 RPN Reference: 24.100.040



6 RPN Reference: 25.100.400



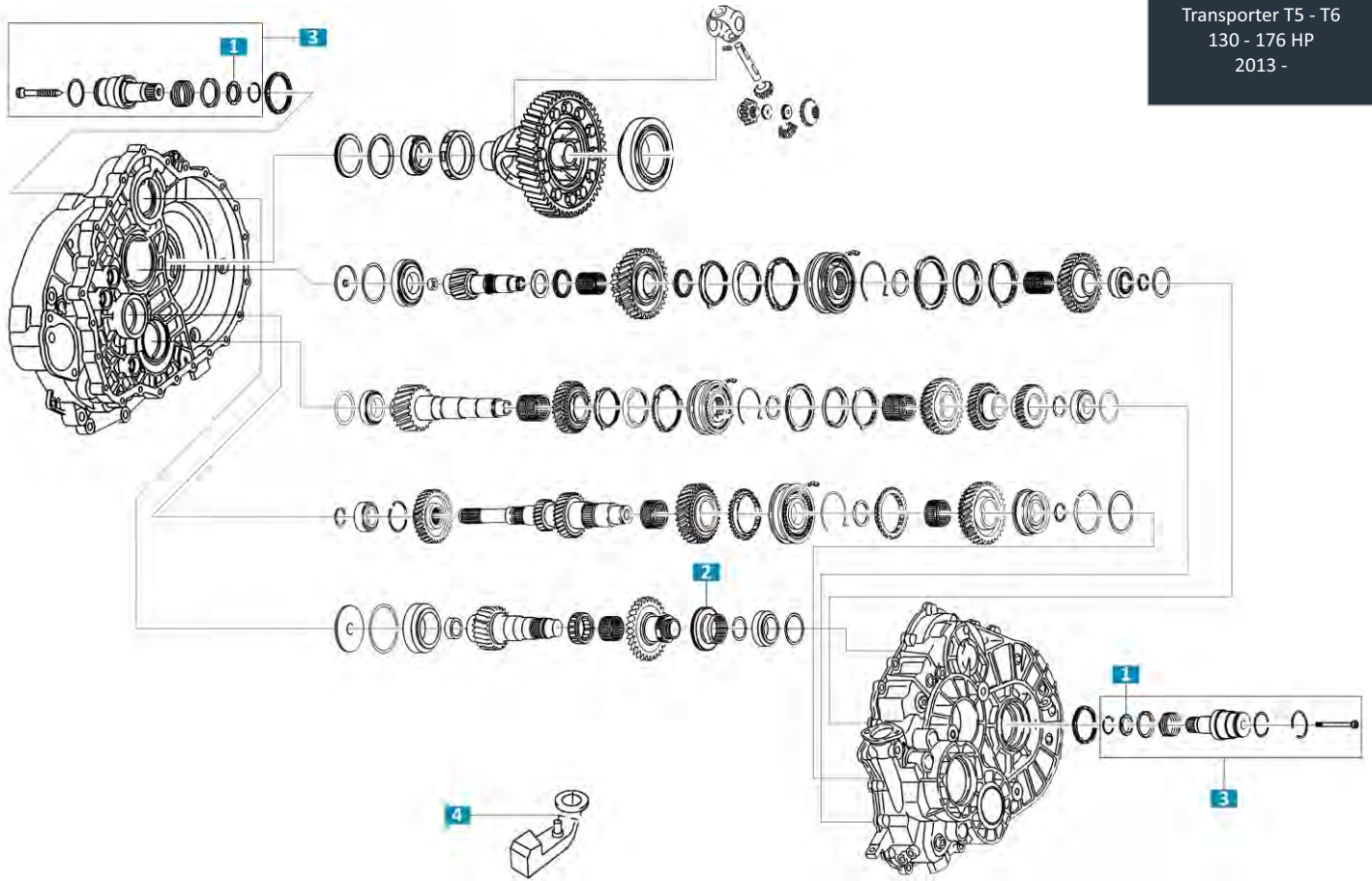
7 RPN Reference: 25.100.401



8 RPN Reference: 25.100.402



Common Vehicles
 Transporter T5 - T6
 130 - 176 HP
 2013 -



HEMA NUMBER	RPN REFERENCE	OEM REFERENCE	PART NAME	TOOTH COUNT	COUNTER GEAR	REMARKS
1	25.100.110	0A5409374	Tapered Ring			
2	25.100.300	0A5311759	Reverse Gear Synchronizer Ring			Only a part of "0A5311759"
3	25.950.040	0A5409343	Stub Shaft			
3	25.950.020	0A5409343B	Stub Shaft			Longer Version of; PW30070-0A5409343
3	25.950.090	0A5409343A	Stub Shaft			Left
3	25.950.100	0A5409343A	Stub Shaft			Right
4	25.100.250	7H0711051K	Gearshift Lever			

1 RPN Reference: 25.100.110



2 RPN Reference: 25.100.300



3 RPN Reference: 25.950.040



3 RPN Reference: 25.950.020



3 RPN Reference: 25.950.090

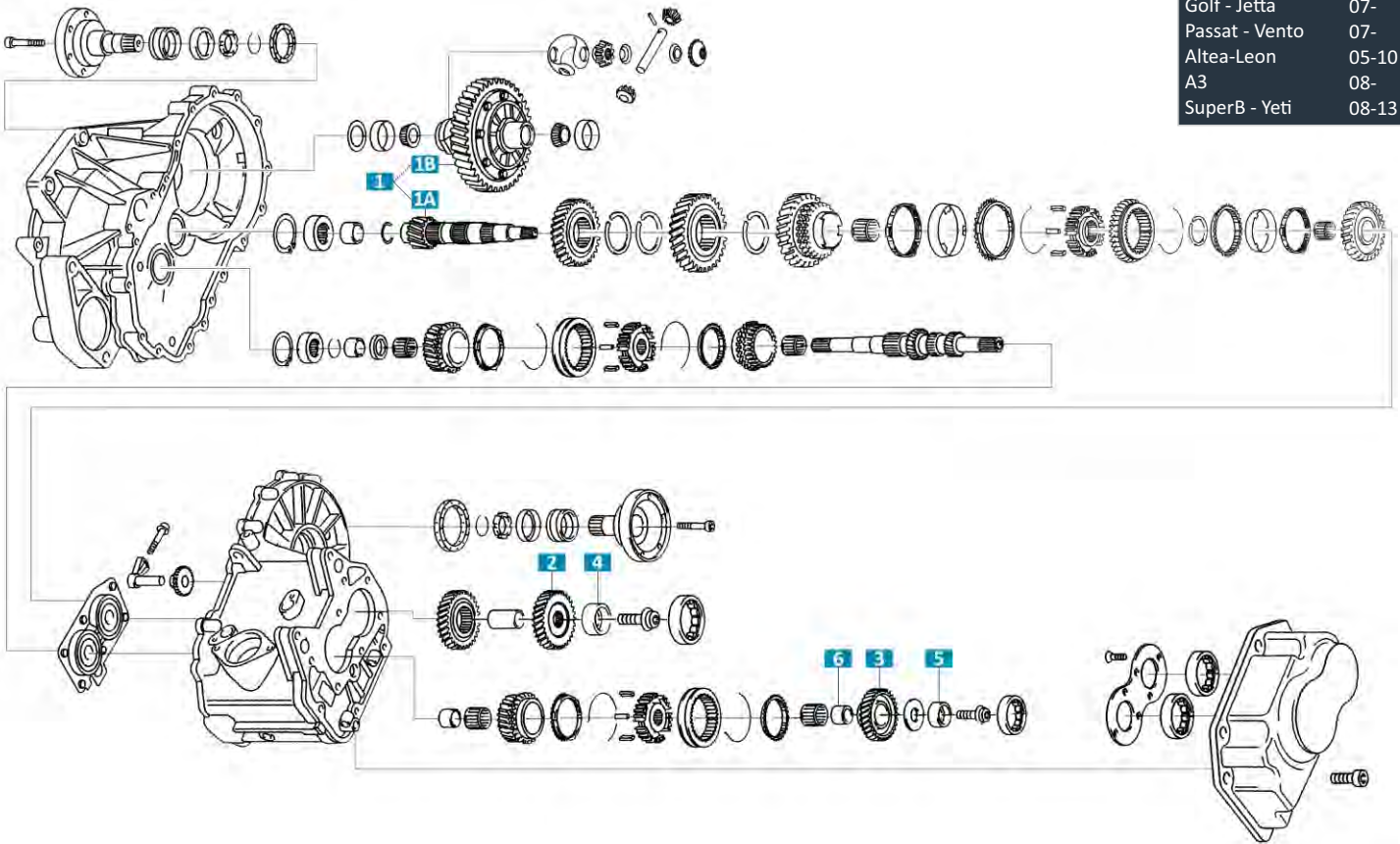


3 RPN Reference: 25.950.100



4 RPN Reference: 25.100.250





HEMA NUMBER	RPN REFERENCE	OEM REFERENCE	PART NAME	TOOTH COUNT	COUNTER GEAR	REMARKS
1	1A	0AJ311198A	Pinion	18		Without Bolts, Will be Supplied Together
	1B	0AJ409021A	Crown Wheel	73		
1	1A	0AJ311198	Pinion	17		Without Bolts, Will be Supplied Together
	1B	0AJ409021	Crown Wheel	74		
2	16.100.065	02U311165L	6th Speed Gear	31	16.100.070	
3	16.100.070	02U311349P	6th Speed Gear	48	16.100.065	
4	16.100.210	02U311122B	Inner Ring			17 x 35 x 18
5	16.100.220	02U311122E	Inner Ring			25.5 x 43 x 20.5
6	16.100.230	02U311132E	Inner Ring			17.5 x 32 x 25 Only a part of "02U311132E"

1 RPN Reference: 16.100.060



1 RPN Reference: 16.100.080



2 RPN Reference: 16.100.065



3 RPN Reference: 16.100.070



4 RPN Reference: 16.100.210

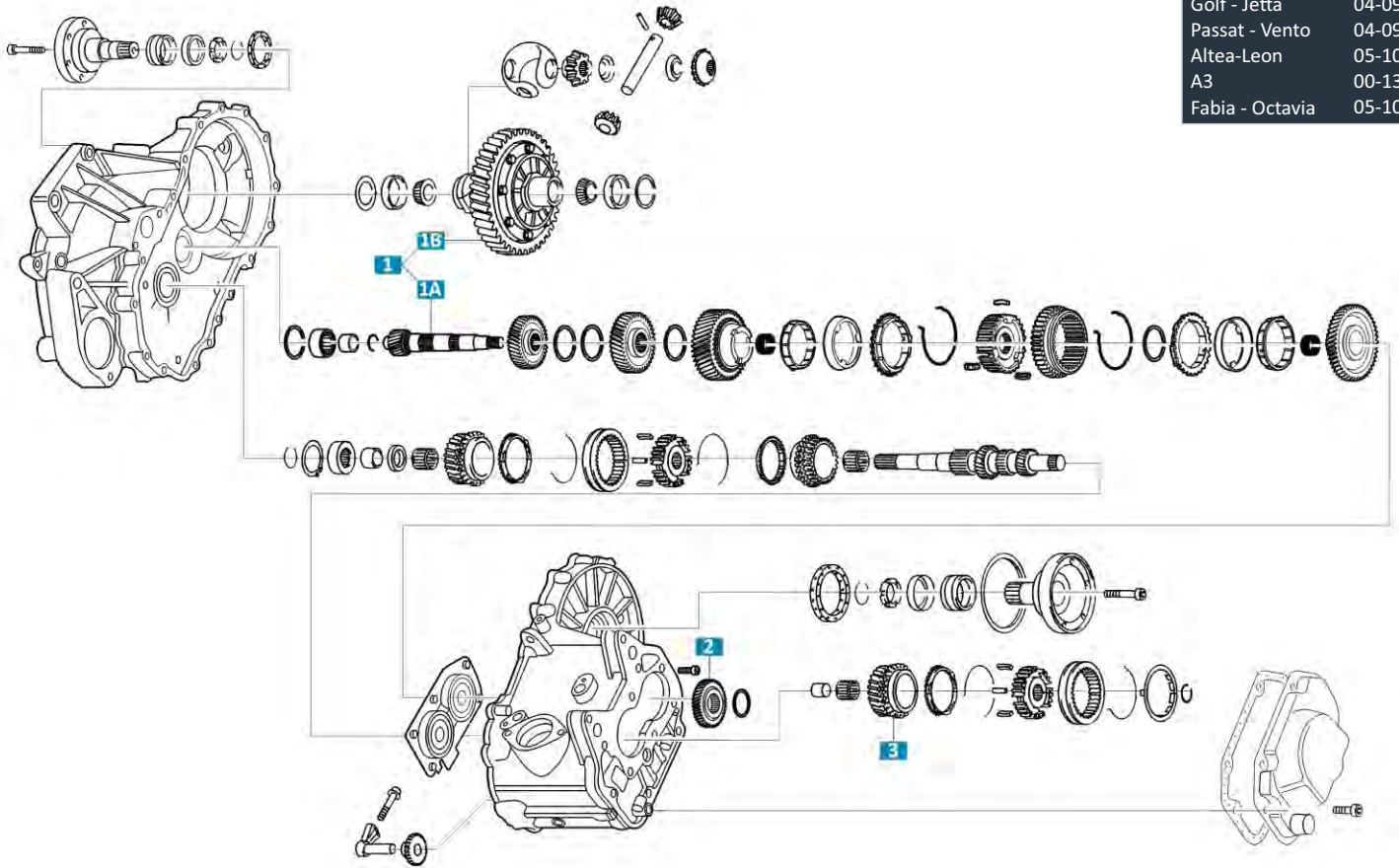


5 RPN Reference: 16.100.220



6 RPN Reference: 16.100.230





Common Vehicles	
Golf - Jetta	04-09
Passat - Vento	04-09
Altea-Leon	05-10
A3	00-13
Fabia - Octavia	05-10

HEMA NUMBER	RPN REFERENCE	OEM REFERENCE	PART NAME	TOOTH COUNT	COUNTER GEAR	REMARKS
1	1A	02T311198B	Pinion	15		Without Bolts, Will be Supplied Together
	1B	02T409021AP	Crown Wheel	68		
2	16.100.030	02T311361A	5th Speed Gear	39	16.100.035	
2	04.100.310	02T311361B	5th Speed Gear	37	04.100.300	
3	04.100.300	02T311158P	5th Speed Gear	50	04.100.310	
3	16.100.035	02T311158N	5th Speed Gear	48	16.100.030	

1 RPN Reference: 16.100.005



2 RPN Reference: 16.100.030



2 RPN Reference: 04.100.300

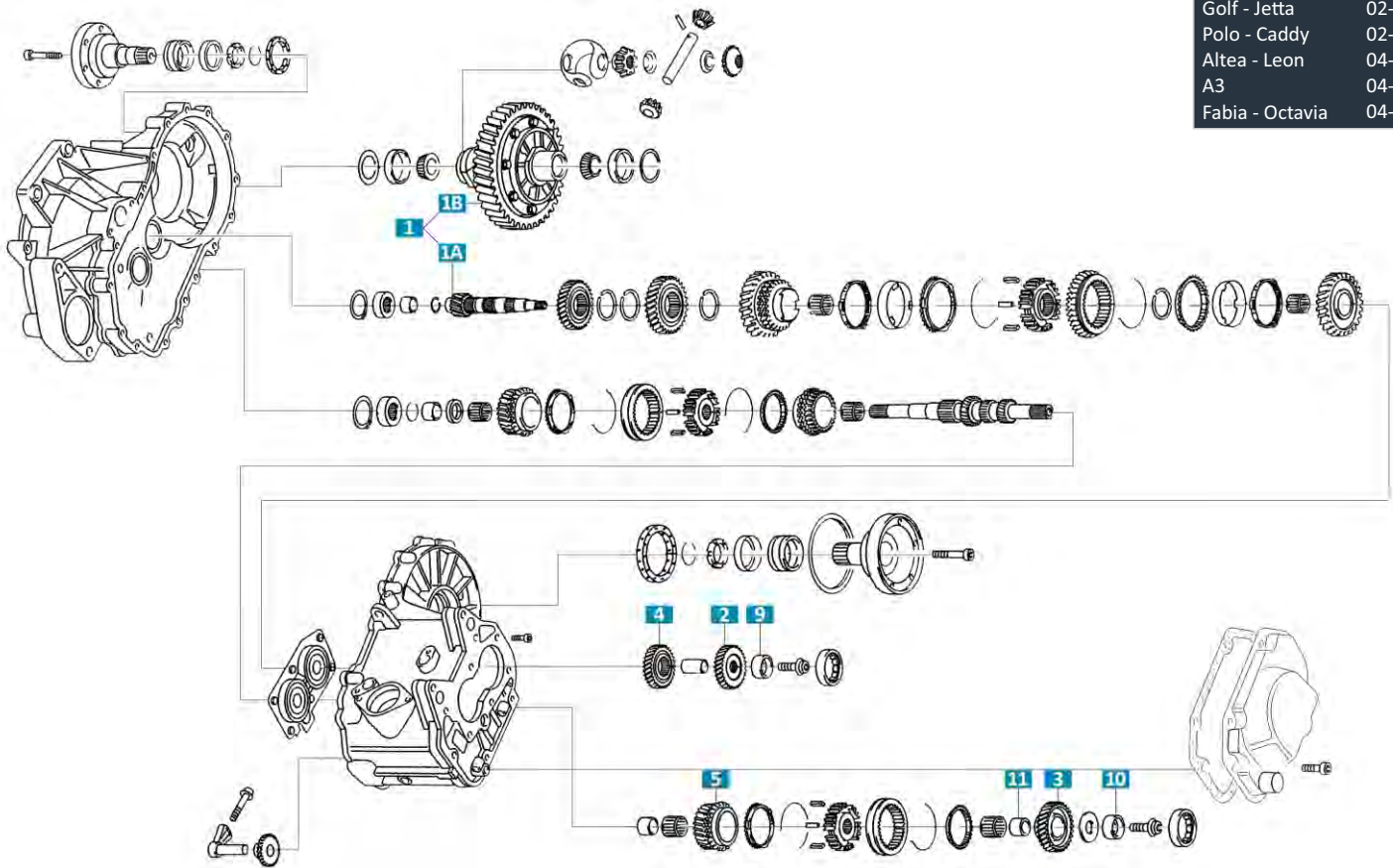


3 RPN Reference: 04.100.310



3 RPN Reference: 16.100.035





Common Vehicles	
Golf - Jetta	02-13
Polo - Caddy	02-13
Altea - Leon	04-13
A3	04-13
Fabia - Octavia	04-13

SHEMA NUMBER	SRT REFERENCE	OEM REFERENCE	PART NAME	TOOTH COUNT	COUNTER GEAR	REMARKS
1	1A	02U311198A	Pinion	15		Without Bolts, Will be Supplied Together
	1B	02T409021AP	Crown Wheel	68		
2	16.100.065	02U311165L	6th Speed Gear	31	16.100.070	
3	16.100.070	02U311349P	6th Speed Gear	48	16.100.065	
4	16.100.030	02T311361A	5th Speed Gear	39	16.100.035	
5	16.100.035	02T311158N	5th Speed Gear	48	16.100.030	
9	16.100.210	02U311122B	Inner Ring			17 x 35 x 18
10	16.100.220	02U311122E	Inner Ring			25.5 x 43 x 20.5
11	16.100.230	02U311132E	Inner Ring			17.5 x 32 x 25 Only a part of "02U311132E"

1 RPN Reference: 16.100.010



2 RPN Reference: 16.100.065



3 RPN Reference: 16.100.070



4 RPN Reference: 16.100.030



5 RPN Reference: 16.100.035



9 RPN Reference: 16.100.210

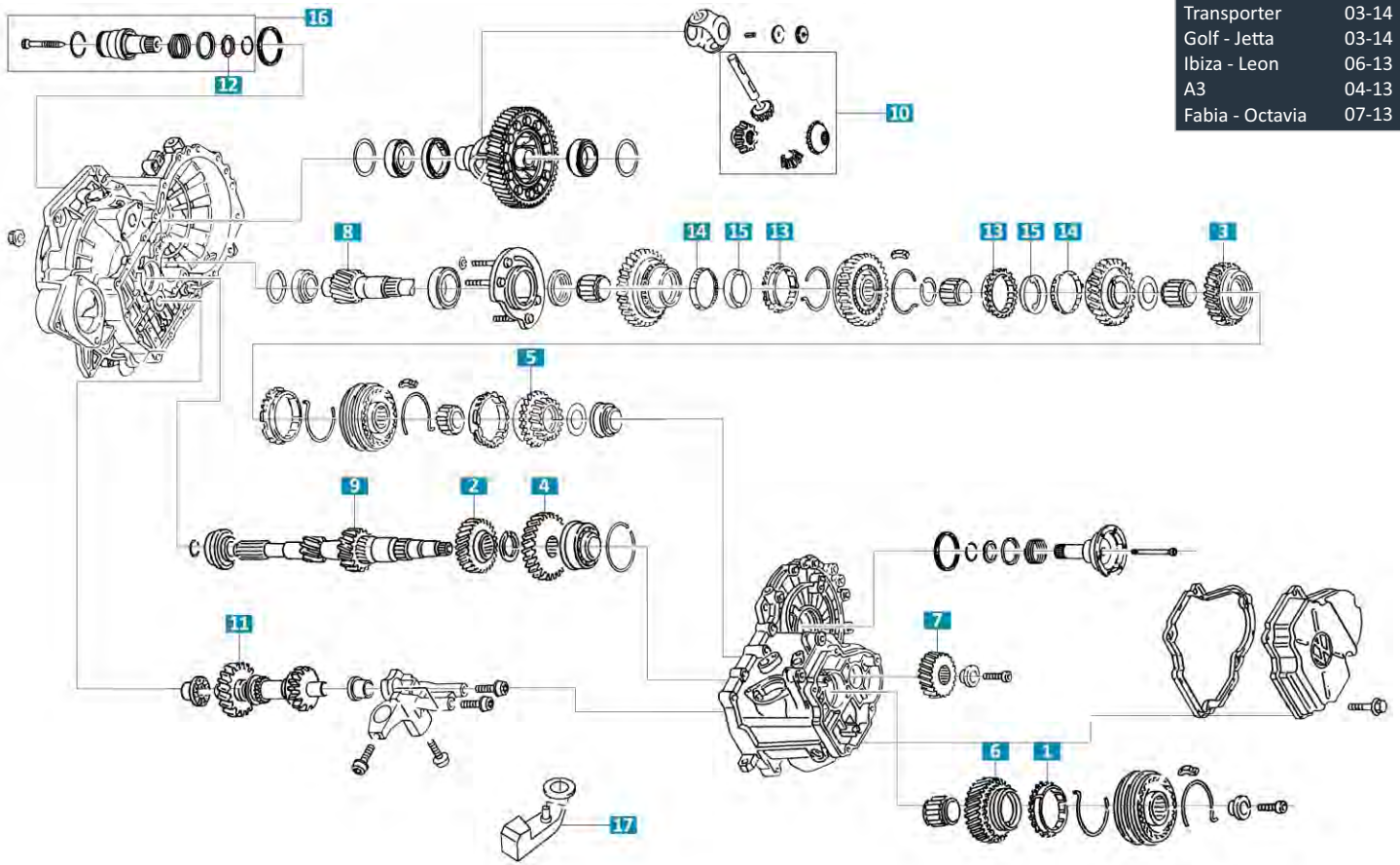


10 RPN Reference: 16.100.220



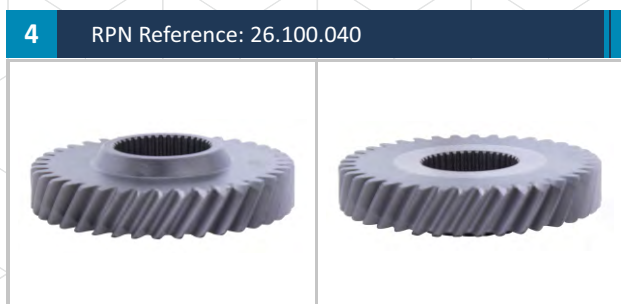
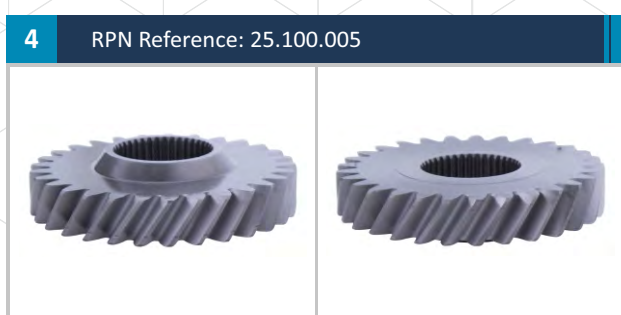
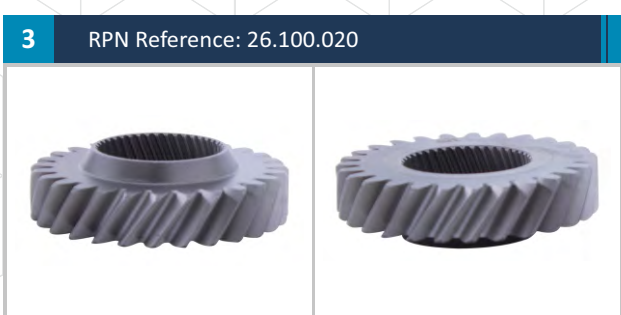
11 RPN Reference: 16.100.230

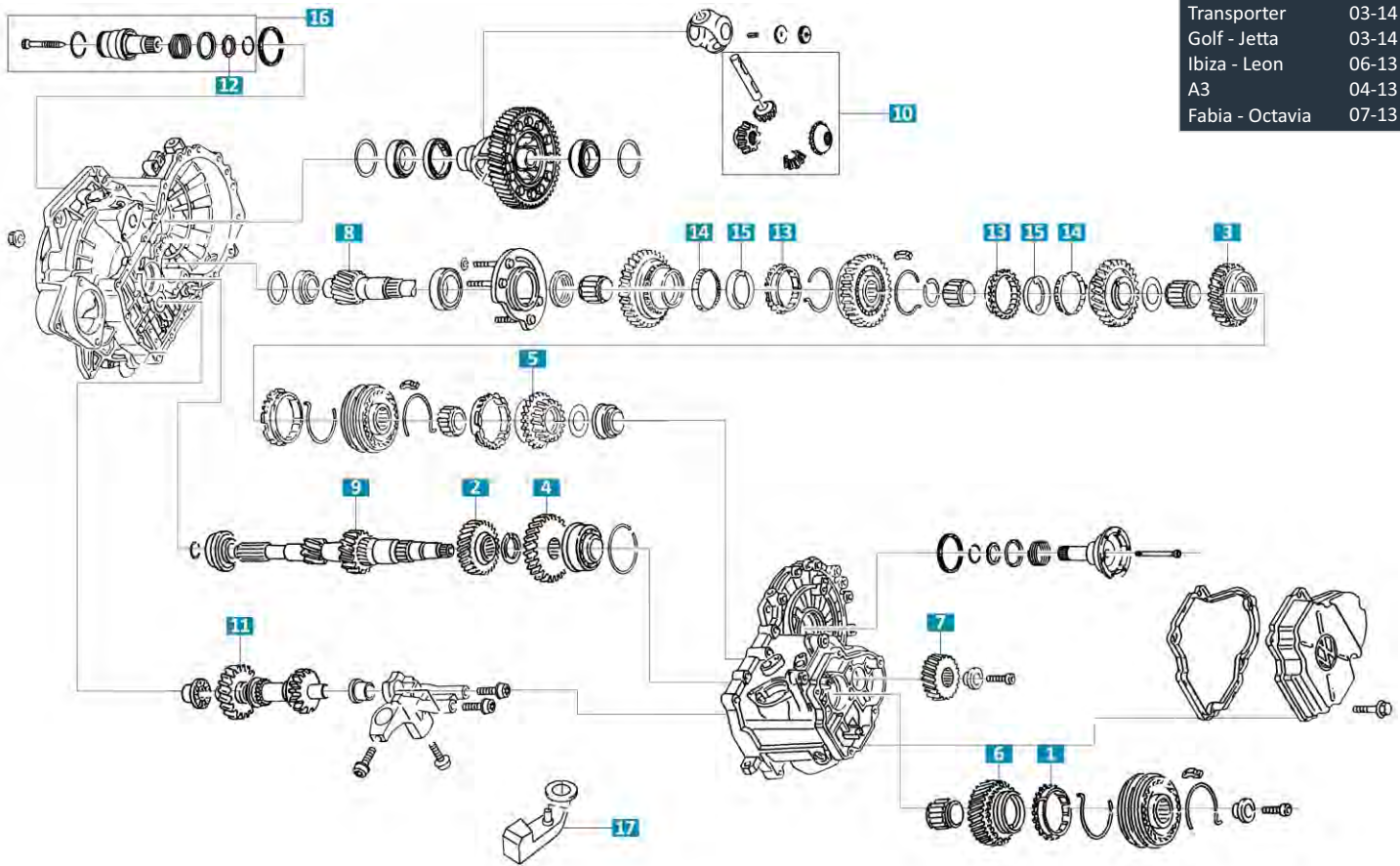




Common Vehicles	
Transporter	03-14
Golf - Jetta	03-14
Ibiza - Leon	06-13
A3	04-13
Fabia - Octavia	07-13

SHEMA NUMBER	RPN REFERENCE	OEM REFERENCE	PART NAME	TOOTH COUNT	COUNTER GEAR	REMARKS
1	08.100.200	02J311295C	5th Speed Synchronizer Ring			
2	25.100.003	02Z311285	3rd Speed Gear	24	25.100.004	
2	26.100.010	02A311129CK	3rd Speed Gear	32	26.100.020	
3	25.100.004	02A311129BL	3rd Speed Gear	30	25.100.003	
3	26.100.020	02A311285BE	3rd Speed Gear	27	26.100.010	
4	25.100.005	02Z311351	4th Speed Gear	29	25.100.007	
4	25.100.009	02A311351BB	4th Speed Gear	32	25.100.008	
4	26.100.040	02A311351AS	4th Speed Gear	38	26.100.030	
5	25.100.007	02Z311145A	4th Speed Gear	24	25.100.005	
5	25.100.008	02A311145BP	4th Speed Gear	27	25.100.009	





Common Vehicles	
Transporter	03-14
Golf - Jetta	03-14
Ibiza - Leon	06-13
A3	04-13
Fabia - Octavia	07-13

HEMA NUMBER	RPN REFERENCE	OEM REFERENCE	PART NAME	TOOTH COUNT	COUNTER GEAR	REMARKS
5	26.100.030	02A311145CB	4th Speed Gear	31	26.100.040	
6	25.100.010	02Z311158A	5th Speed Gear	41	26.100.050	
6	25.100.070	02Z311158	5th Speed Gear	37	25.100.080	
6	26.100.050	02A311158AS	5th Speed Gear	49	26.100.060	
7	25.100.020	02Z311361A	5th Speed Gear	27	25.100.010	
7	25.100.080	02Z311361	5th Speed Gear	23	25.100.070	
7	26.100.060	02A311361BF	5th Speed Gear	29	26.100.050	
8	25.100.030	02Z311205C	Pinion	16		
8	25.100.040	02Z311205D	Pinion	15		
9	25.100.050	02Z311103G	Input Shaft	9-14		

5 RPN Reference: 26.100.030



6 RPN Reference: 25.100.010



6 RPN Reference: 25.100.070



6 RPN Reference: 26.100.050



7 RPN Reference: 25.100.020



7 RPN Reference: 25.100.080



7 RPN Reference: 26.100.060



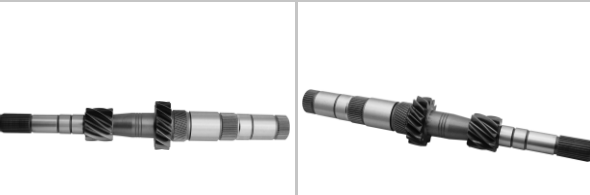
8 RPN Reference: 25.100.030

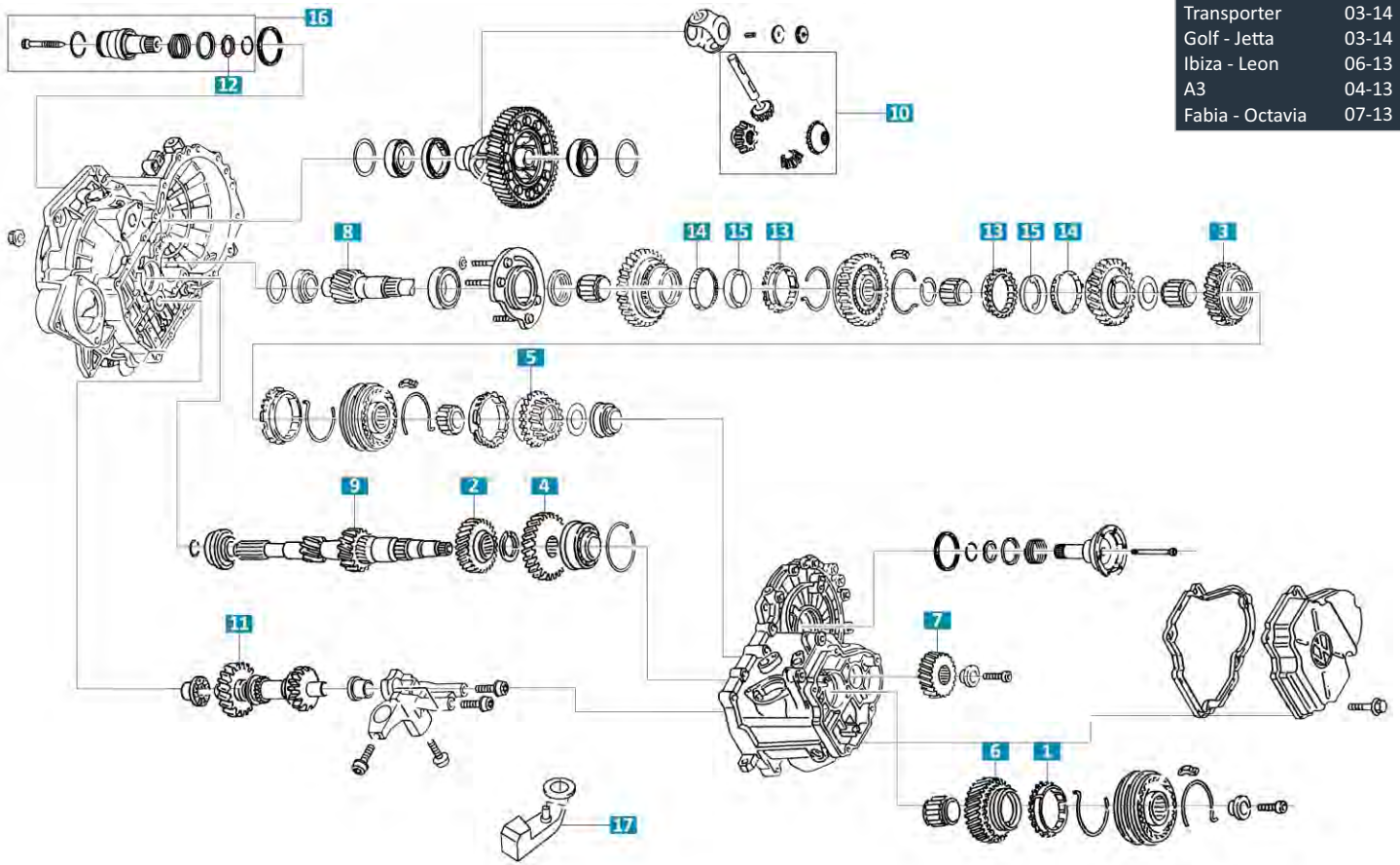


8 RPN Reference: 25.100.040



9 RPN Reference: 25.100.050





Common Vehicles	
Transporter	03-14
Golf - Jetta	03-14
Ibiza - Leon	06-13
A3	04-13
Fabia - Octavia	07-13

HEMA NUMBER	RPN REFERENCE	OEM REFERENCE	PART NAME	TOOTH COUNT	COUNTER GEAR	REMARKS
10	25.100.060	02Z498081	Differential Gear Set	13-9		
11	25.100.090	02Z311509F	Reverse Gear	20		A part of; 02Z311509F
11	25.100.095		Reverse Gear	20		A part of; 02Z311509F
12	25.100.100	02M409374A	Tapered Ring			
13	25.100.400	02J311247D	1st / 2nd Speed Synchronizer Ring			Outer Part
14	25.100.401	02J311277B	1st / 2nd Speed Synchronizer Ring			Inner Part
15	25.100.402	03J311279	1st / 2nd Speed Synchronizer Ring			Middle Part
16	25.950.010	02Z409345B	Stub Shaft			
16	25.950.050		Stub Shaft			Shorter Version of; PW30040 - 02Z409345B
17	25.100.200	7H0711051J	Gearshift Lever			

10 RPN Reference: 25.100.060



11 RPN Reference: 25.100.090



11 RPN Reference: 25.100.095



12 RPN Reference: 25.100.100



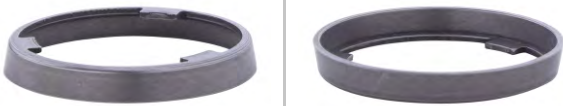
13 RPN Reference: 25.100.400



14 RPN Reference: 25.100.401



15 RPN Reference: 25.100.402



16 RPN Reference: 25.950.010



16 RPN Reference: 25.950.050



17 RPN Reference: 25.100.200



1

RPN Reference: 20.100.010



1

RPN Reference: 36.100.050



1

RPN Reference: 36.100.060



1 RPN Reference: 24.100.010



1 RPN Reference: 24.100.020



2 RPN Reference: 24.100.040



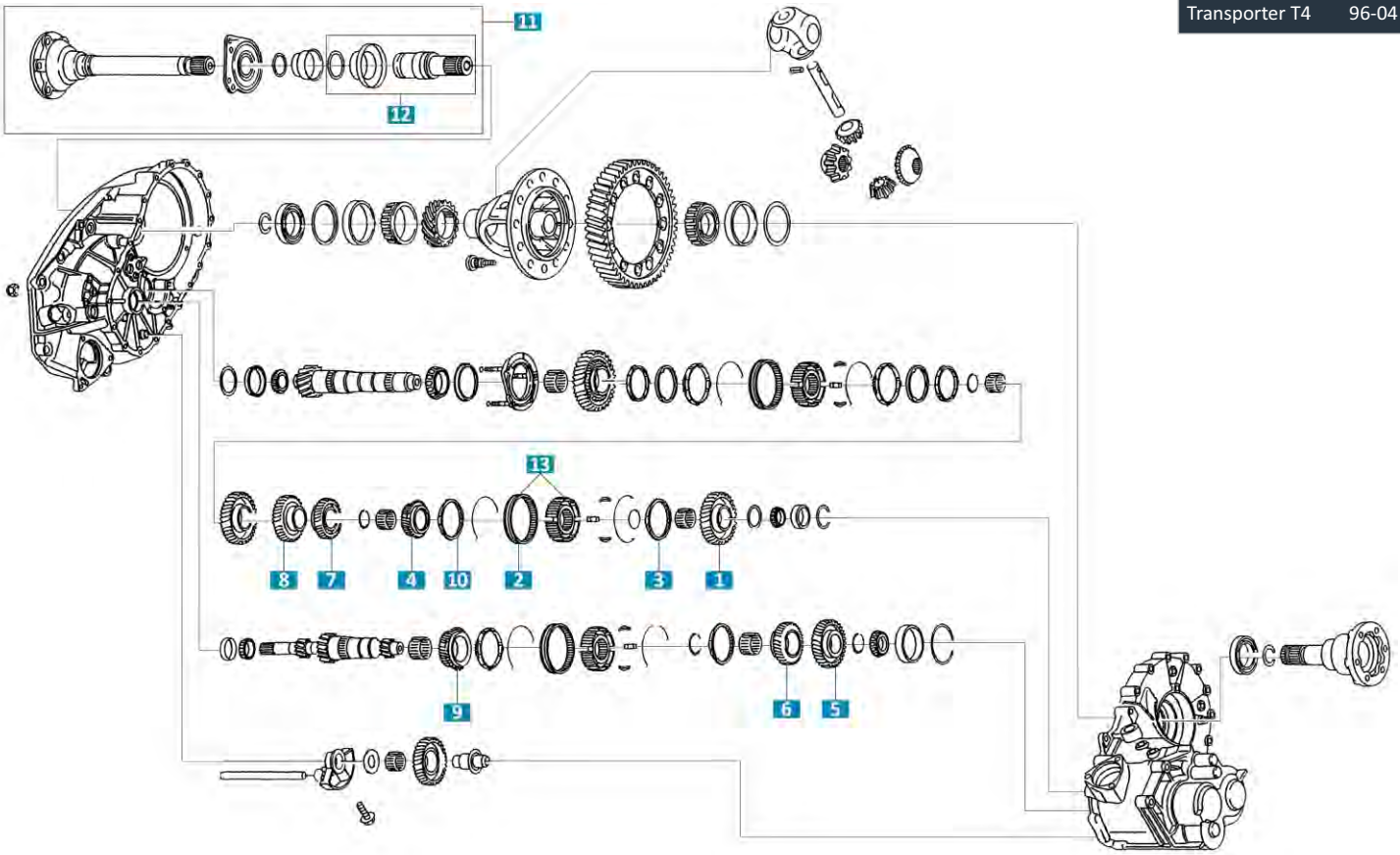
3 RPN Reference: 24.100.150



4 RPN Reference: 08.100.200



Common Vehicles	
Transporter T4	96-04

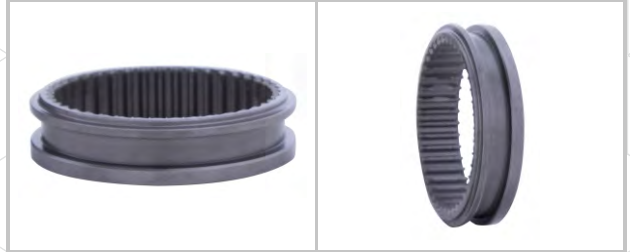


SEMA NUMBER	RPN REFERENCE	OEM REFERENCE	PART NAME	TOOTH COUNT	COUNTER GEAR	REMARKS
1	24.100.050	02F311217D	Sliding Wheel for Reverse Gear	37		
2	24.100.060	02F311303G	5th and Reverse Gear Synchronizing Hub			
3	24.100.065	02F311295M	Reverse Gear Synchronizer Ring			
4	24.100.200	02G311158B	5th Speed Gear	35	24.100.210	
4	24.100.260	02G311158G	5th Speed Gear	32	24.100.270	
5	24.100.210	02G311361A	5th Speed Gear	48	24.100.200	
5	24.100.270	02G311361F	5th Speed Gear	51	24.100.260	
6	24.100.220	02G311145	4th Speed Gear	36	24.100.230	
7	24.100.230	02G311351	4th Speed Gear	35	24.100.220	
8	24.100.240	02G311285	3rd Speed Gear	35	24.100.250	

1 RPN Reference: 24.100.050



2 RPN Reference: 24.100.060



3 RPN Reference: 24.100.065



4 RPN Reference: 24.100.200



4 RPN Reference: 24.100.260



5 RPN Reference: 24.100.210



5 RPN Reference: 24.100.270



6 RPN Reference: 24.100.220



7 RPN Reference: 24.100.230



8 RPN Reference: 24.100.240



9 RPN Reference: 24.100.250



10 RPN Reference: 24.100.300



11 RPN Reference: 24.950.050



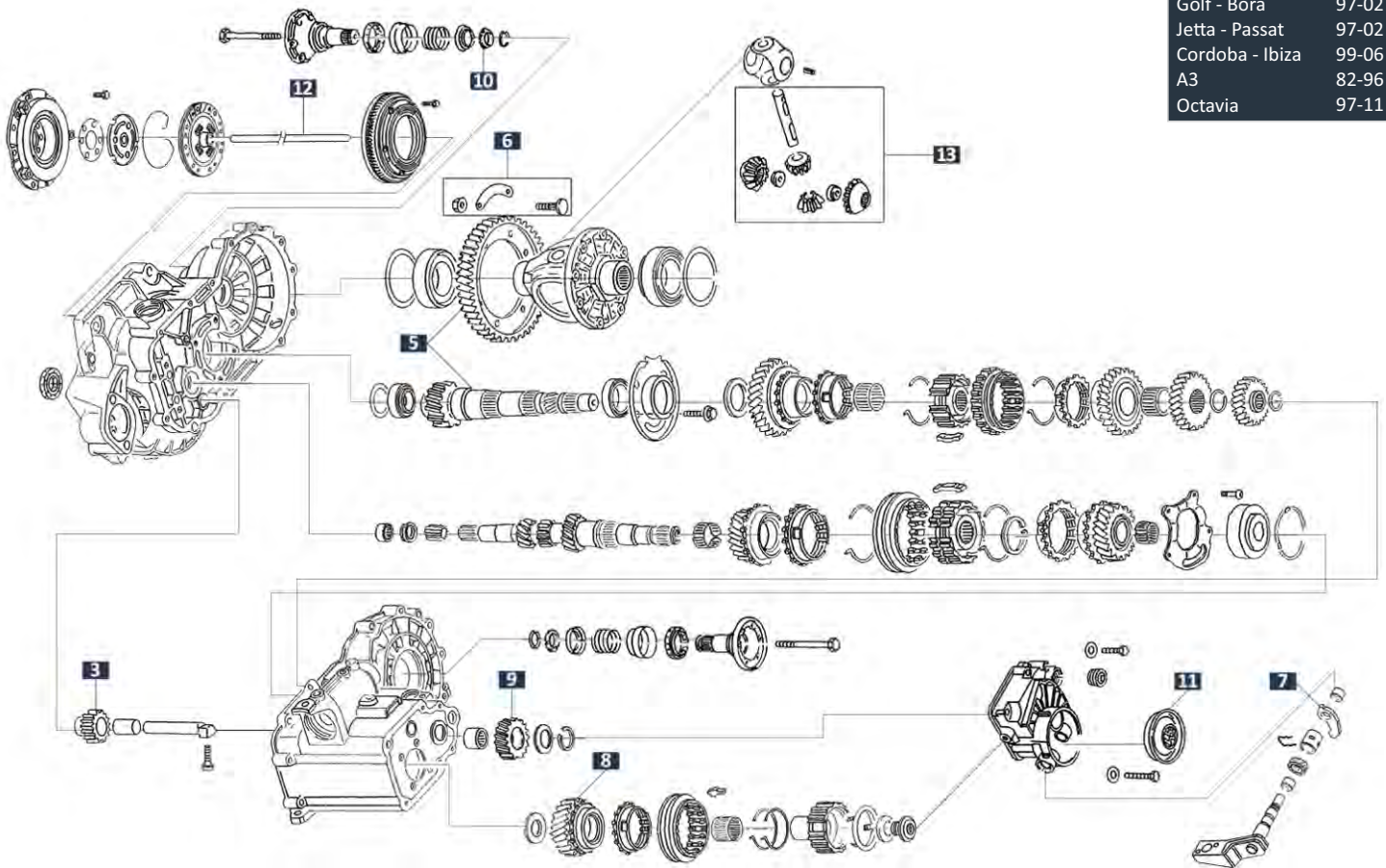
12 RPN Reference: 24.950.060



13 RPN Reference: 24.100.070



Common Vehicles	
Golf - Bora	97-02
Jetta - Passat	97-02
Cordoba - Ibiza	99-06
A3	82-96
Octavia	97-11



SEMA NUMBER	RPN REFERENCE	OEM REFERENCE	PART NAME	TOOTH COUNT	COUNTER GEAR	REMARKS
3	12.100.010	02K311501A	Reverse Gear	20		
5	12.100.020	02K409143H	Crown Wheel & Pinion	68-16		With Bolts [6] (PW46050)
7	12.100.030	020141709A	Clutch Lever			
8	12.100.040	020311159R	5th Speed Gear	40	12.100.050	
9	12.100.050	020311361T	5th Speed Gear	34	12.100.040	
10	12.100.080	020409374	Tapered Ring			
11	12.100.100	02K141073	End Cap			
12	12.100.150	020141741B	Clutch Push Rod			342 MM
13	12.100.200	02K498081	Differential Gear Set	13-9		

3 RPN Reference: 12.100.010



5 RPN Reference: 12.100.020



7 RPN Reference: 12.100.030



8 RPN Reference: 12.100.040



9 RPN Reference: 12.100.050



10 RPN Reference: 12.100.080



11 RPN Reference: 12.100.100



12 RPN Reference: 12.100.150



13 RPN Reference: 12.100.200



1

RPN Reference: 25.950.030

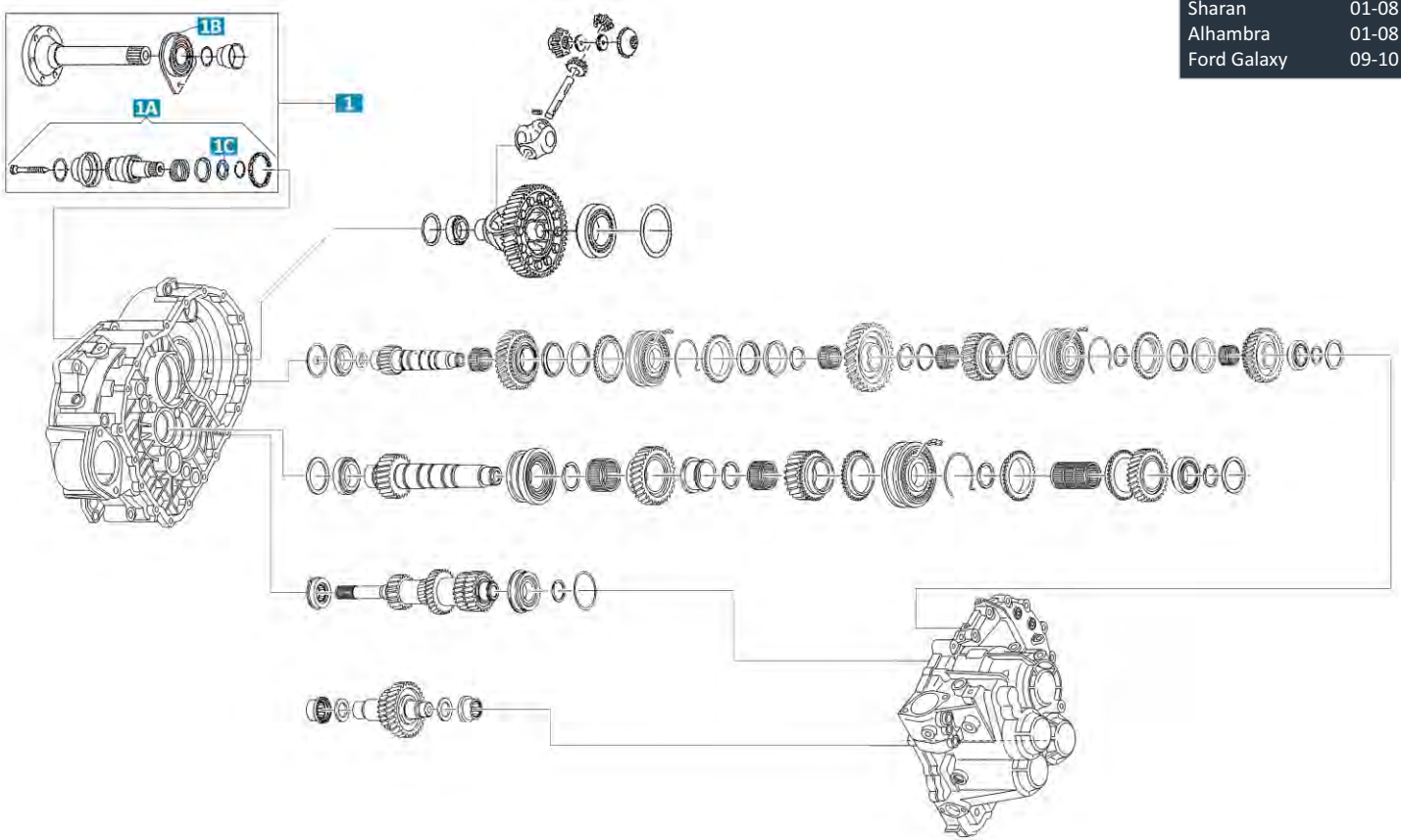


2

RPN Reference: 16.100.050



Common Vehicles	
Sharan	01-08
Alhambra	01-08
Ford Galaxy	09-10



HEMA NUMBER	RPN REFERENCE	OEM REFERENCE	PART NAME	TOOTH COUNT	COUNTER GEAR	REMARKS
1	34.950.100	02N409344E	Flange Shaft Set			
1	34.950.250	02N409344F	Flange Shaft Set			
1A	34.950.110	02N409345	Stub Shaft			
1B	34.400.100	02N409335E	Intermediate Bearing			
1C	34.100.100	02N409374	Tapered Ring			

1 RPN Reference: 34.950.100



1 RPN Reference: 34.950.250



1A RPN Reference: 34.950.110



1B RPN Reference: 34.400.100



1C RPN Reference: 34.100.100



1 RPN Reference: 36.950.010



2 RPN Reference: 36.950.040

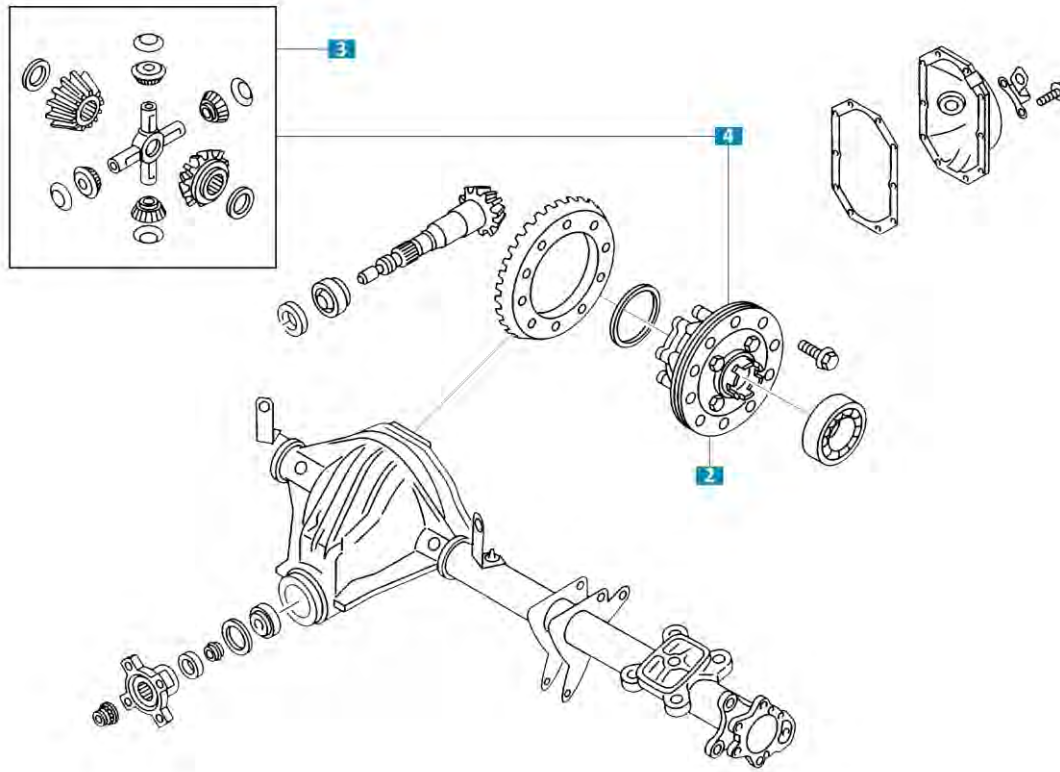


2 RPN Reference: 36.950.030



3 RPN Reference: 36.950.020





HEMA NUMBER	RPN REFERENCE	OEM REFERENCE	PART NAME	TOOTH COUNT	COUNTER GEAR	REMARKS
2	32.100.035		Differential Housing			19mm Hole - Lower Type Fits in; 32.100.150
2	32.100.040		Differential Housing			21mm Hole - Lower Type Fits in; 32.100.060
2	32.100.045		Differential Housing			19mm Hole - Higher Type Fits in; 32.100.150
2	32.100.047		Differential Housing			21mm Hole - Higher Type Fits in; 32.100.060
2	32.100.050	2D0525121C	Differential Housing			Twin Tyres Fits in; 32.100.200
3	32.100.060		Differential Gear Set	14-9		Ø19mm Fits to; 32.100.040 - 32.100.047
3	32.100.150		Differential Gear Set	16-10		Ø21mm Fits to; 32.100.035 - 32.100.045
4	32.100.100		Differential Housing Complete Set			19mm Hole - Higher Type
4	32.100.110		Differential Housing Complete Set			21mm Hole - Higher Type

2 RPN Reference: 32.100.035



2 RPN Reference: 32.100.040



2 RPN Reference: 32.100.045



2 RPN Reference: 32.100.047



2 RPN Reference: 32.100.050



3 RPN Reference: 32.100.060



3 RPN Reference: 32.100.150



4 RPN Reference: 32.100.100



4 RPN Reference: 32.100.110



1

RPN Reference: 25.100.150



1

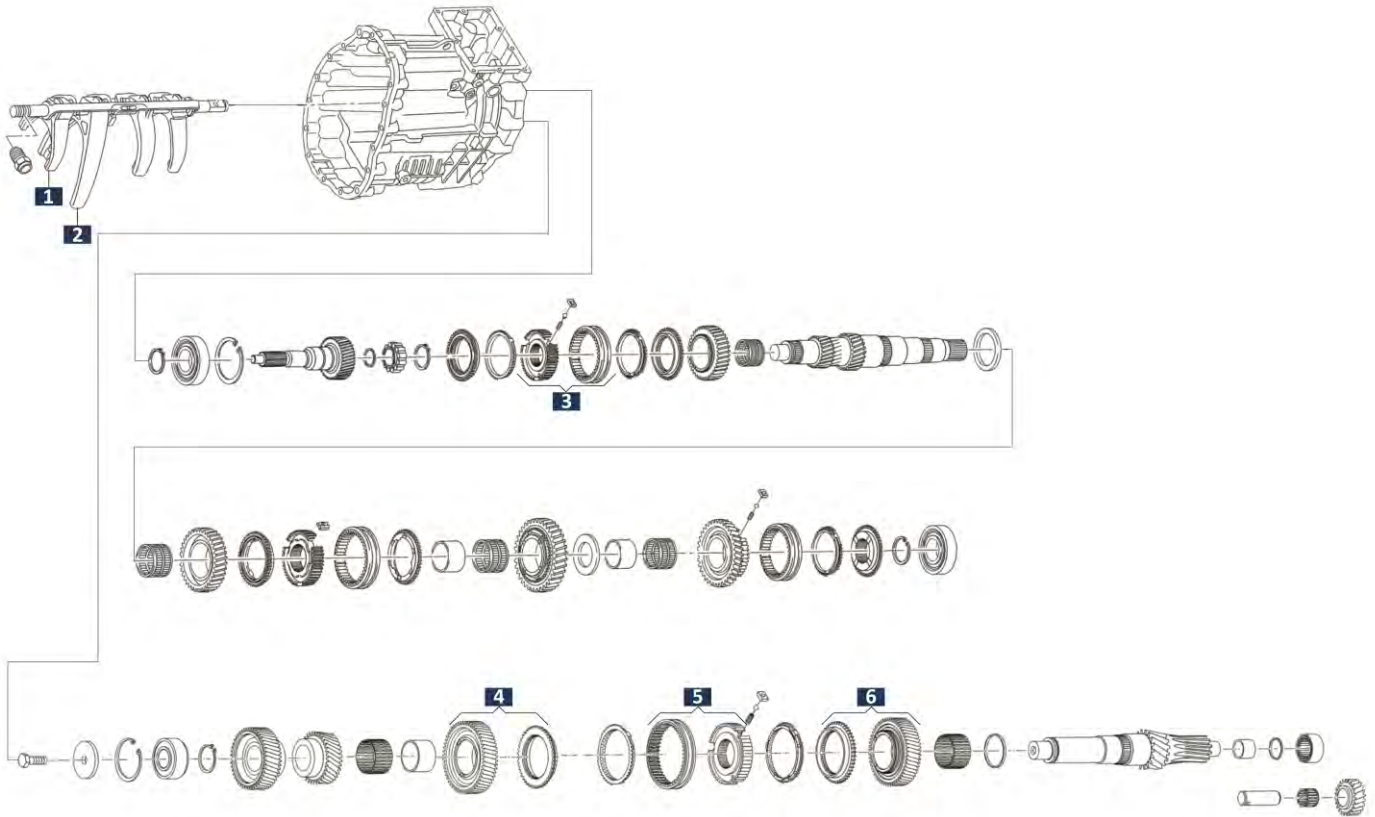
RPN Reference: 37.100.100



2

RPN Reference: 37.100.060





HEMA NUMBER	RPN REFERENCE	OEM REFERENCE	PART NAME	TOOTH COUNT	COUNTER GEAR	REMARKS
1	37.100.400	0C6301233A	3./4. Speed Selector Fork			Only a part of "0C6301233A"
2	37.100.410	0C6301233A	5./6. Speed Selector Fork			Only a part of "0C6301233A"
3	37.100.530	0C6311134	3./4. Speed Synchronizing Hub			
4	37.100.020	0C6311349A	6th Speed Gear and Ring	55		
5	37.100.030	0C6311170	5./6. Speed Synchronizing Hub			
6	37.100.010	0C6311158A	5th Speed Gear and Ring	55		

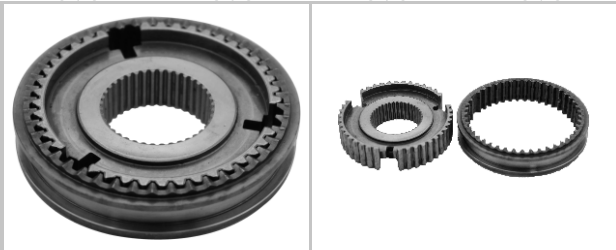
1 RPN Reference: 37.100.400



2 RPN Reference: 37.100.410



3 RPN Reference: 37.100.530



4 RPN Reference: 37.100.020



5 RPN Reference: 37.100.030



6 RPN Reference: 37.100.010



1 RPN Reference: 37.100.510



2 RPN Reference: 37.100.550



3 RPN Reference: 37.100.500



4 RPN Reference: 37.100.040



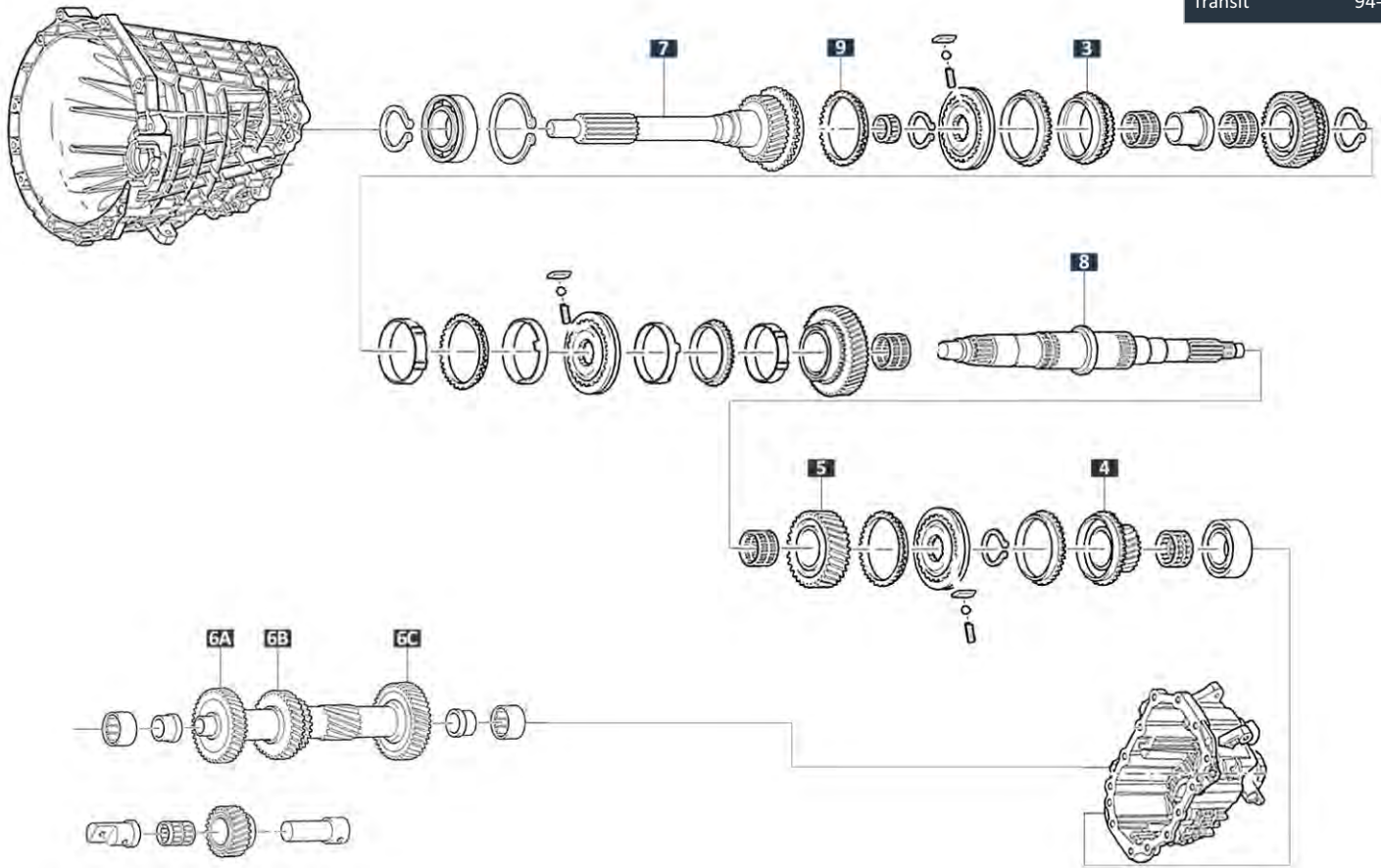


www.rpn.com.tr



**FORD
GEARBOXES**

Common Vehicles
Transit 94-06



SEMA NUMBER	RPN REFERENCE	OEM REFERENCE	PART NAME	TOOTH COUNT	COUNTER GEAR	REMARKS
3	50.100.020	988T-7M003-CA 1058901	3rd Speed Gear	32	50.100.035	
4	50.100.025	988T-7M005-BA 1058870	5th Speed Gear	26	50.100.045	
5	50.100.030	988T-7M006-BA 1058875	Reverse Gear	37		
6A	50.100.040	988T-7B281-DA 1058880	4th Speed Gear	37	50.100.120	Only a part of "1058880"
6A	50.100.050	YC1R-7B281-AC 1096534	4th Speed Gear	33	50.100.130	Only a part of "1096534"
6B	50.100.035	988T-7B281-DA 1058880	3rd Speed Gear	31	50.100.020	Only a part of "1058880"
6C	50.100.045	988T-7B281-DA 1058880	5th Speed Gear	45	50.100.025	Only a part of "1058880"
7	50.100.120	988T-7015-DA 1058905	Input Shaft	23-26	50.100.040	
7	50.100.130	YC1R-7015-FD 1101933	Input Shaft	23-25	50.100.050	
8	50.100.300	878T-7061-AD 1222521	Secondary Shaft			

3 RPN Reference: 50.100.020



4 RPN Reference: 50.100.025



5 RPN Reference: 50.100.030



6A RPN Reference: 50.100.040



6A RPN Reference: 50.100.050



6B RPN Reference: 50.100.035



6C RPN Reference: 50.100.045



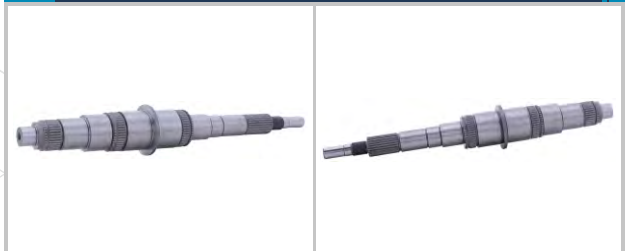
7 RPN Reference: 50.100.120



7 RPN Reference: 50.100.130



8 RPN Reference: 50.100.300

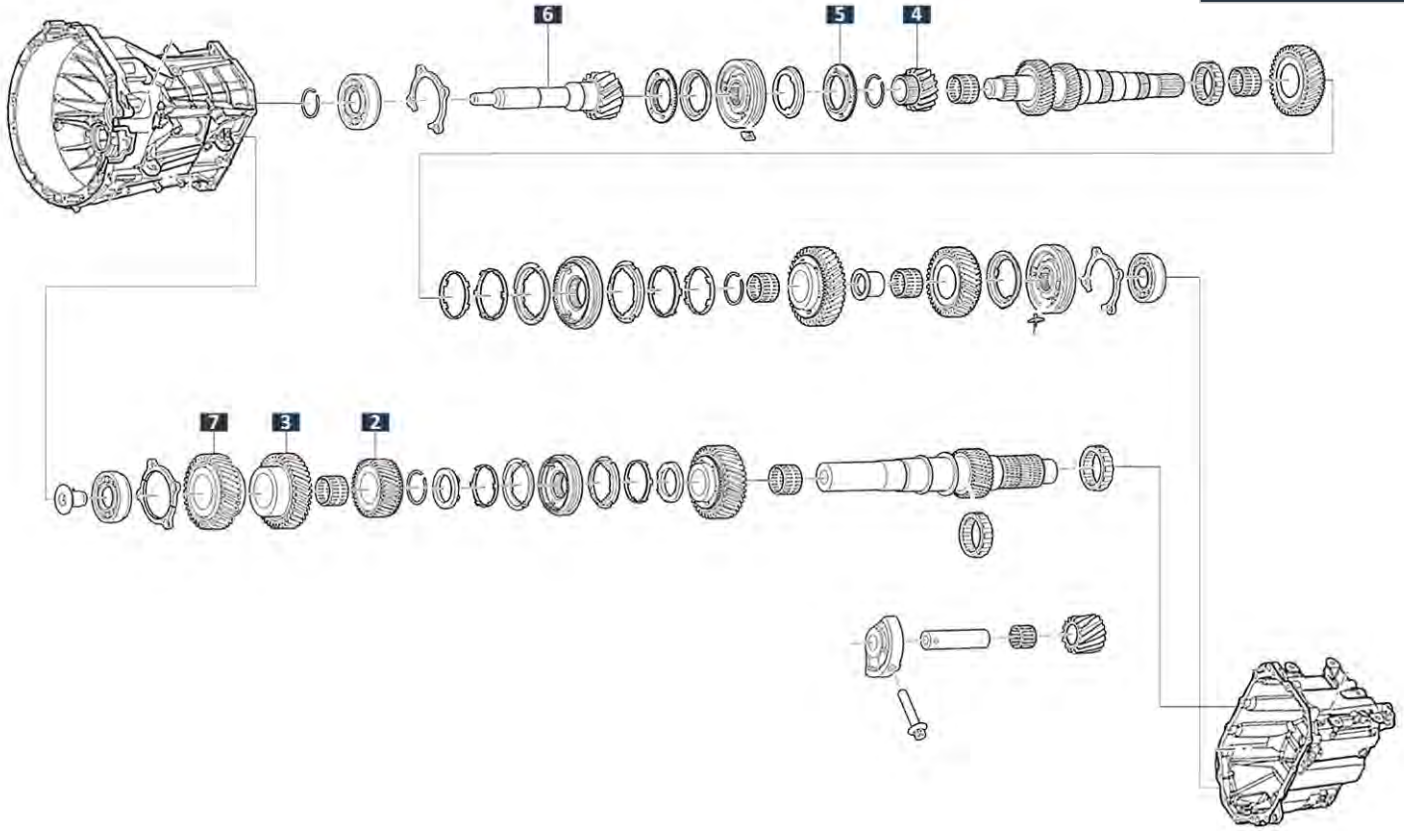


9

RPN Reference: 50.100.055



Common Vehicles	
Transit V-347	06-14



HEMA NUMBER	RPN REFERENCE	OEM REFERENCE	PART NAME	TOOTH COUNT	COUNTER GEAR	REMARKS
2	50.100.230	8C1R-7M163-CA 1760174	3rd Speed Gear	30		
3	50.100.240	8C1R-7J101-AC 1756237	6th Speed Gear	44	50.100.250	
4	50.100.250	8C1R-J102-AB 1699481	6th Speed Gear	23	50.100.240	
5	50.100.260	BK3R-7M000-CB 1718779	Ring	42		
6	50.100.270	BK3R-7017-AA 1699489	Input Shaft	27	50.100.290	Ø38 mm Hole
6	50.100.280	BK3R-7017-AA 1699489	Input Shaft	27	50.100.290	Ø40 mm Hole
7	50.100.290	BK3R-7144-AA 1699491	5th Speed Gear	41	50.100.270 50.100.280	
8	50.100.200	4C1R-7M006-AF 1711437	Reverse Gear	39		
9	50.100.205	4C1R-7B280-DE 1427644	Reverse Gear Synchronizing Hub			Only a part of; 4C1R-7B280-DE

2 RPN Reference: 50.100.230



3 RPN Reference: 50.100.240



4 RPN Reference: 50.100.250



5 RPN Reference: 50.100.260



6 RPN Reference: 50.100.270



6 RPN Reference: 50.100.280



7 RPN Reference: 50.100.290



8 RPN Reference: 50.100.200



9 RPN Reference: 50.100.205



1

RPN Reference: 50.100.500



2

RPN Reference: 50.100.520



3

RPN Reference: 50.100.400




1

RPN Reference: 50.100.700



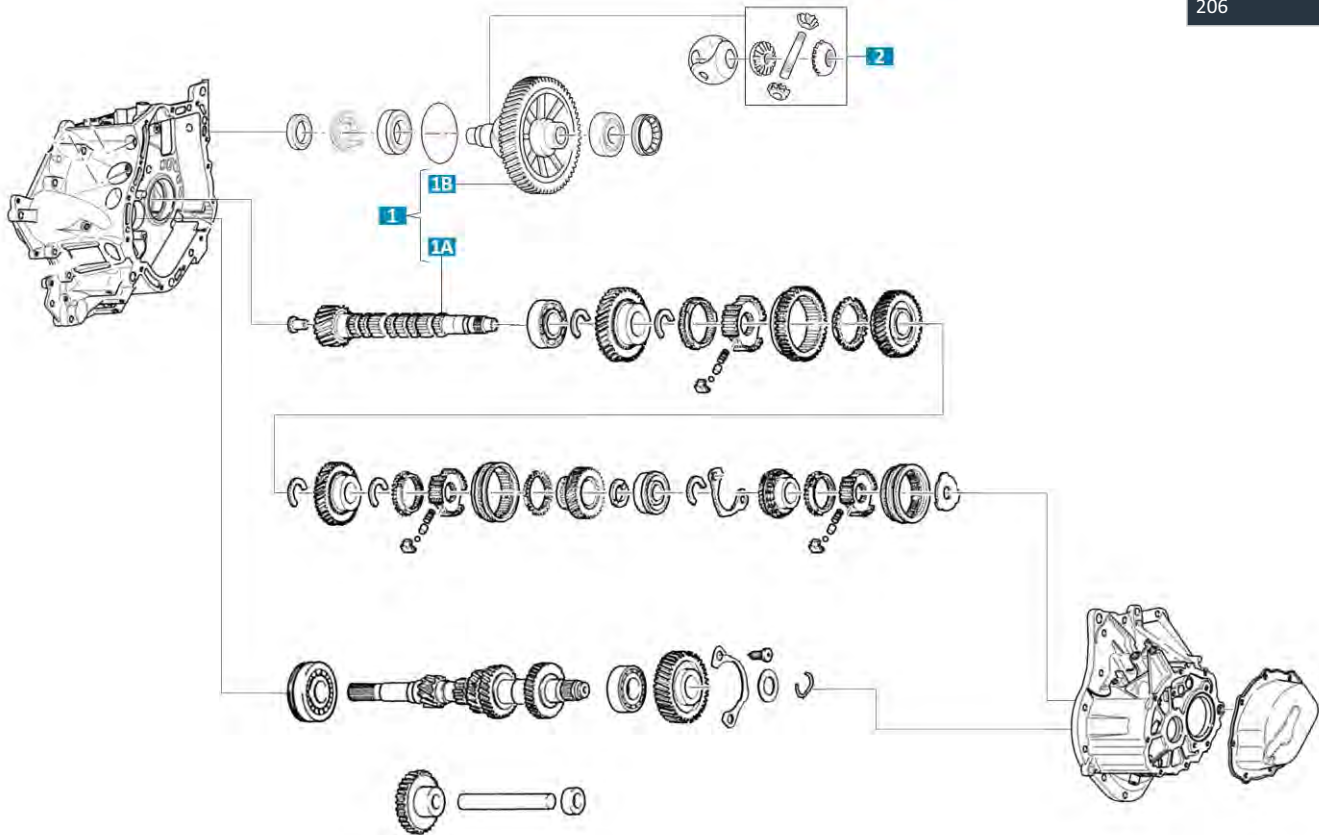


www.rpn.com.tr



**CITROEN - FIAT
PEUGEOT
GEARBOXES**

Common Vehicles	
206	96-



SHEMA NUMBER	RPN REFERENCE	OEM REFERENCE	PART NAME	TOOTH COUNT	COUNTER GEAR	REMARKS
1	1A	92.100.010	2316.AL 3118.J4	Pinion	13	Without Differential Housing
	1B					
1	1A	92.100.500	2316.AL 3118.J4	Pinion	13	With Differential Housing
	1B					
1	1A	92.100.600	2316.T4 3103.N7	Pinion	14	With Differential Housing
	1B					
2	92.100.100	3106.11	Differential Gear Set	14-10		14 mm Pim

1 RPN Reference: 92.100.010



1 RPN Reference: 92.100.500



1 RPN Reference: 92.100.600



2 RPN Reference: 92.100.100



1

RPN Reference: 94.100.010



1

RPN Reference: 90.100.500



2

RPN Reference: 90.100.550



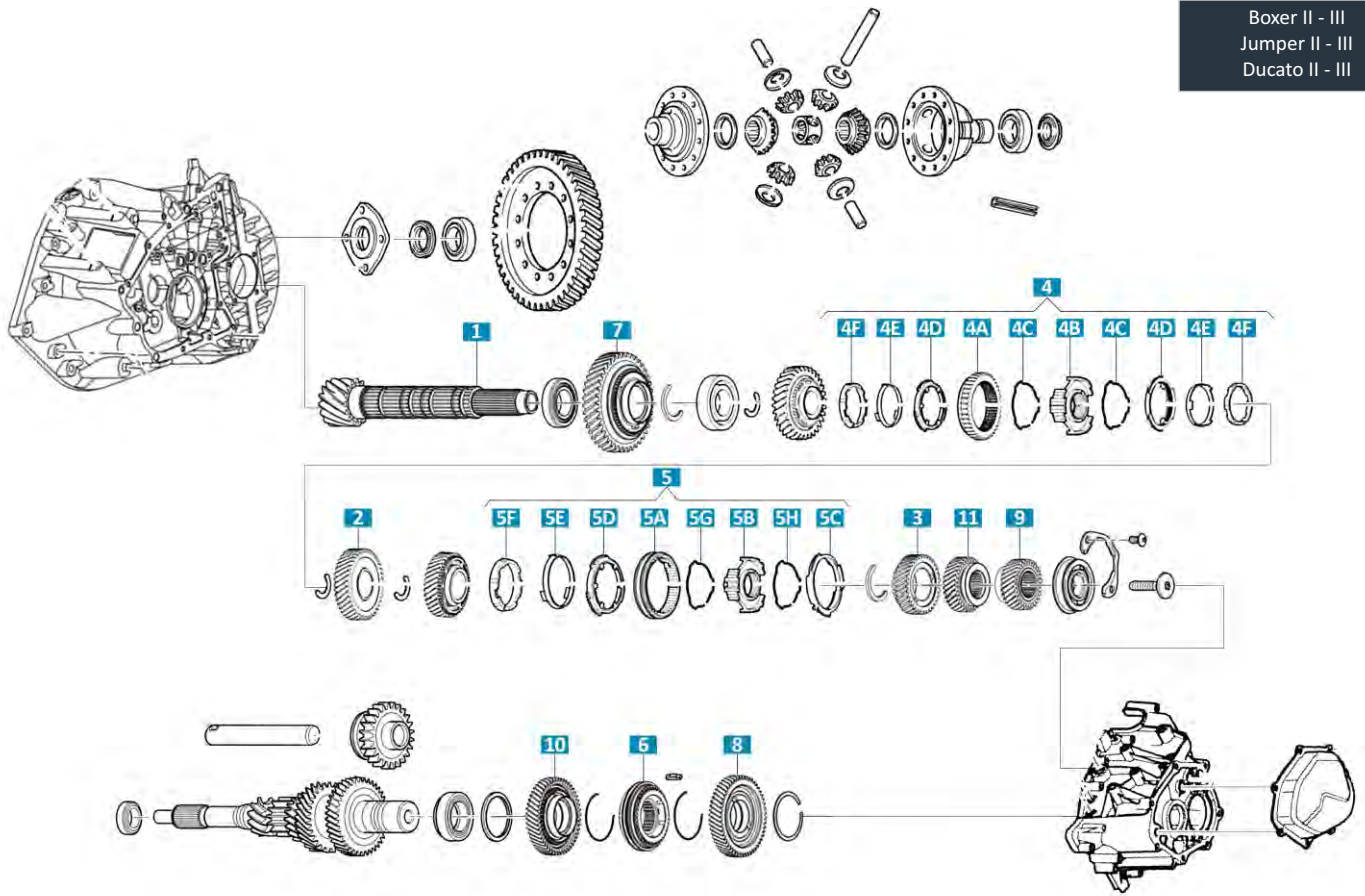
2

RPN Reference: 95.100.522



Common Vehicles

Boxer II - III
Jumper II - III
Ducato II - III



HEMA NUMBER	RPN REFERENCE	OEM REFERENCE	PART NAME	TOOTH COUNT	COUNTER GEAR	REMARKS
1	95.100.060	2316.Y6 9670840588	Pinion	13		
1	95.100.070	2316.Y7 9671953188	Pinion	15		
2	95.100.150	2335.79 9653583980	2nd Speed Gear	41		
3	95.100.170	2337.79 9643757188	4th Speed Gear	35		
4	95.100.240	2323.E5 9467633588	1st / 2nd Speed Synchronizer Gear Set	41		
4D 4E 4F	95.100.510		1st / 2nd Speed Synchronizer Ring Set			Part of PU42120 2323.E5 - 9467633588
5	95.100.250	2353.66 9567437888	3rd / 4th Speed Synchronizing Gear Set			
5C	95.100.305		4th Speed Synchronizer Ring			Part of PU42130 2353.66 - 9567437888
5D 5E 5F	95.100.310		3rd Speed Synchronizer Ring			Part of PU42130 2353.66 - 9567437888
6	95.100.320		5th / 6th Speed Synchronizer Ring			Part of; 2388.26 - 9464823088

1 RPN Reference: 95.100.060



1 RPN Reference: 95.100.070



2 RPN Reference: 95.100.150



3 RPN Reference: 95.100.170



4 RPN Reference: 95.100.240



4 D-E-F RPN Reference: 95.100.510



5 RPN Reference: 95.100.250



5C RPN Reference: 95.100.305



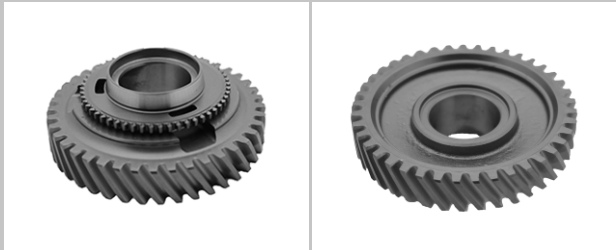
5 D-E-F RPN Reference: 95.100.310



6 RPN Reference: 95.100.320



7 RPN Reference: 95.100.270



8 RPN Reference: 95.100.400



9 RPN Reference: 95.100.410

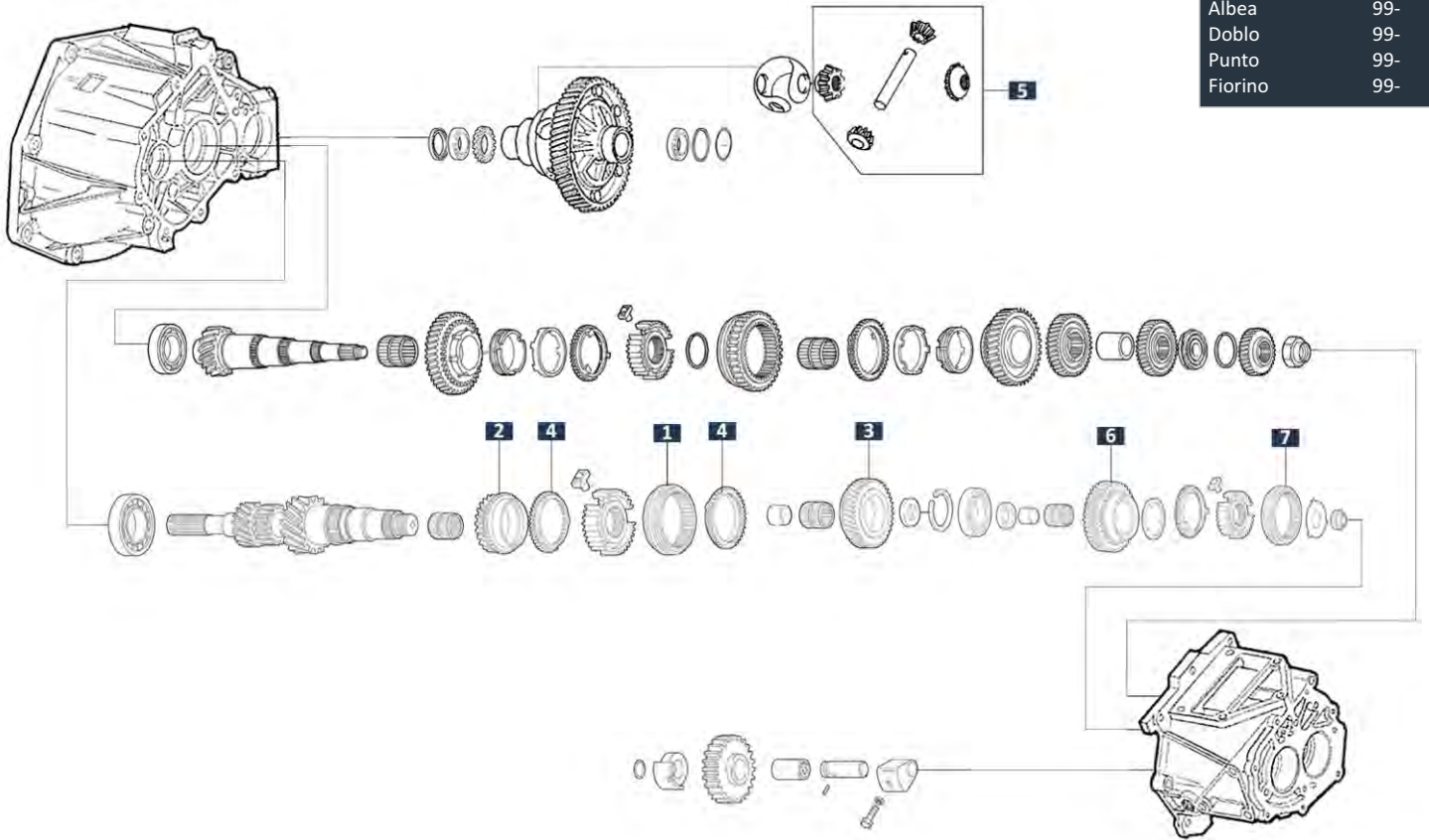


10 RPN Reference: 95.100.420



11 RPN Reference: 95.100.430





SHEMA NUMBER	RPN REFERENCE	OEM REFERENCE	PART NAME	TOOTH COUNT	COUNTER GEAR	REMARKS
1	97.100.105	55195575	3rd-4th Sliding Synchronizing Sleeve			
2	97.100.200	46767058	3rd Speed Gear	27		
3	97.100.220	46767060	4th Speed Gear	34		
4	97.100.500	46767057	3rd-4th Speed Synchronizing Ring			
5	97.100.110	71719742 55197703	Differential Gear Set	16-10		
6	97.100.230	46767951	5th Speed Gear	43		
7	97.100.240	55195576	5th Speed Synchronizing Hub			

1 RPN Reference: 97.100.105



2 RPN Reference: 97.100.200



3 RPN Reference: 97.100.220



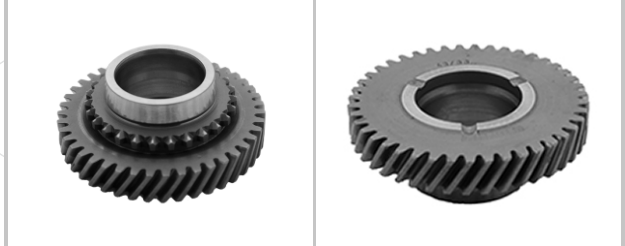
4 RPN Reference: 97.100.500



5 RPN Reference: 97.100.110



6 RPN Reference: 97.100.230

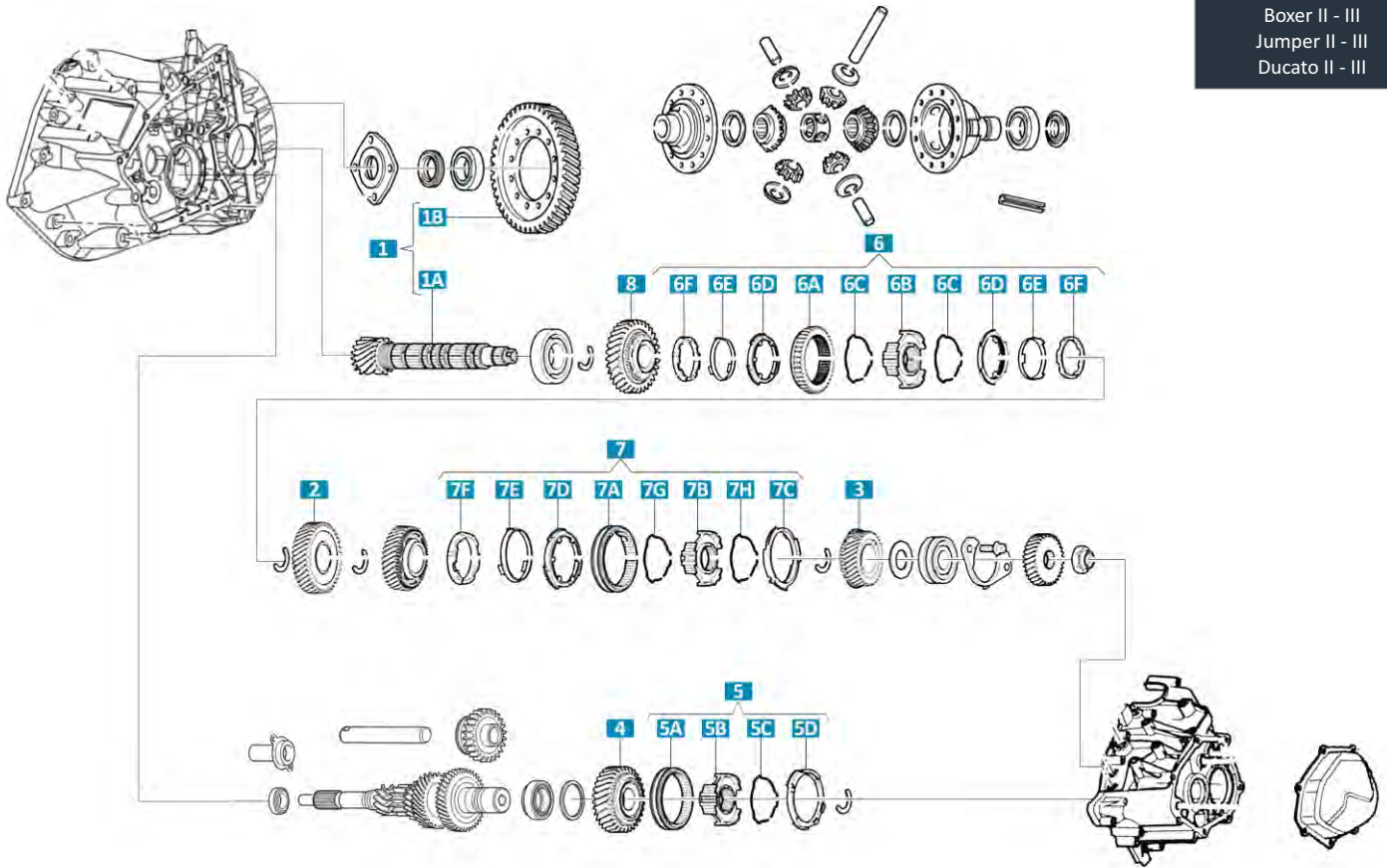


7 RPN Reference: 97.100.240



Common Vehicles

Boxer II - III
Jumper II - III
Ducato II - III



HEMA NUMBER	RPN REFERENCE	OEM REFERENCE	PART NAME	TOOTH COUNT	COUNTER GEAR	REMARKS
1	1A	2316.R2 9639746988	Pinion	13		
	1B	3103.H1 9635847880	Crown Wheel	68		
2	95.100.150	2335.79 9653583980	2nd Speed Gear	41		
3	95.100.170	2337.79 9643757188	4th Speed Gear	35		
4	95.100.180	2353.50 9643758188	5th Speed Gear	53		
5	95.100.190	2388.24 9464466388	5th Speed Synchronizing Hub			
5D	95.100.300		5th Speed Synchronizer Ring			Part of; PU42080 2388.24 - 9464466388
6	95.100.240	2323.E5 9467633588	1st - 2nd Speed Synchronizing Gear	41		
6 D-E-F	95.100.510		1st - 2nd Speed Synchronizer Ring			Part of; PU42120 2323.E5 - 9467633588
7	95.100.250	2353.66 9567437888	3rd - 4th Speed Synchronizing Hub			
7C	95.100.305		4th Speed Synchronizer Ring			Part of; PU42130 2353.66 - 9567437888

1 RPN Reference: 95.100.030



2 RPN Reference: 95.100.150



3 RPN Reference: 95.100.170



4 RPN Reference: 95.100.180



5 RPN Reference: 95.100.190



5D RPN Reference: 95.100.300



6 RPN Reference: 95.100.240



6
D-E-F RPN Reference: 95.100.510



7 RPN Reference: 95.100.250



7C RPN Reference: 95.100.305



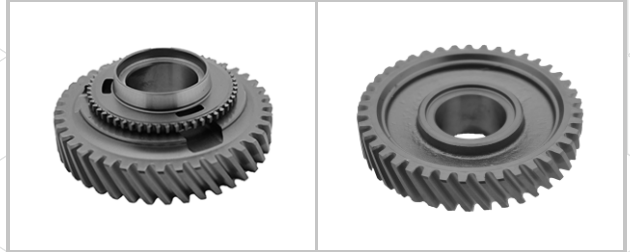
7
D-E-F

RPN Reference: 95.100.310



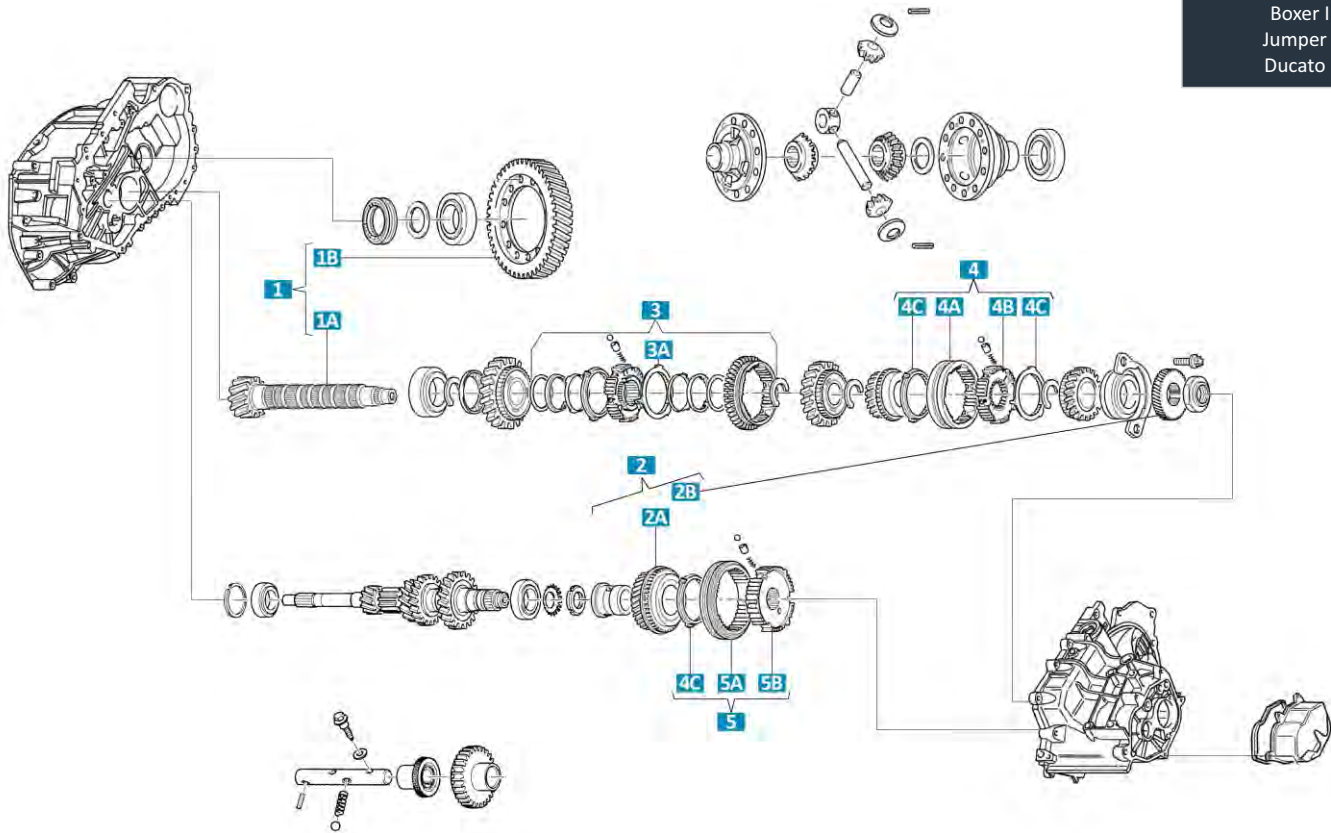
8

RPN Reference: 95.100.270



Common Vehicles

Boxer I
Jumper I
Ducato I



SHEMA NUMBER	RPN REFERENCE	OEM REFERENCE	PART NAME	TOOTH COUNT	COUNTER GEAR	REMARKS
1	1A	2316.G1 9620396380	Pinion	13		
	1B	3103.H3 9637241880	Crown Wheel	83		
1	1A	2316.H0 9620396280	Pinion	13		
	1B	3103.H1 9635847880	Crown Wheel	68		
2	2A	95.100.100	5th Speed Gear	58	95.100.110	
	2B	95.100.110	5th Speed Gear	35	95.100.100	
3	95.100.220	2323.82 9463379688	1st - 2nd Speed Synchronizing Gear	41		
3A	95.100.540		1st / 2nd Speed Synchronizer Ring			
4	95.100.230	2353.55 9567635688	3rd - 4th Speed Synchronizing Gear			
4C	95.100.500		3rd - 4th - 5th Speed Synchronizing Ring			
5	95.100.260	2388.22 9567641788	5th Speed Synchronizing Gear			

1 RPN Reference: 95.100.010



1 RPN Reference: 95.100.020



2A RPN Reference: 95.100.100



2B RPN Reference: 95.100.110



3 RPN Reference: 95.100.220



3A RPN Reference: 95.100.540



4 RPN Reference: 95.100.230



4C RPN Reference: 95.100.500



5 RPN Reference: 95.100.260



1 RPN Reference: 95.100.080



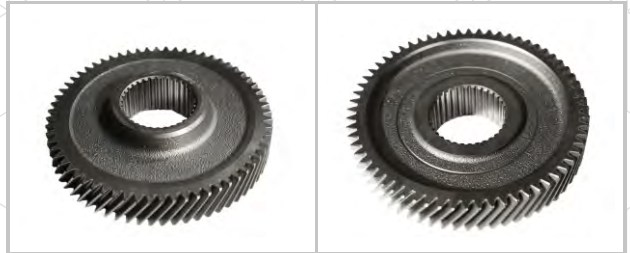
2 RPN Reference: 95.100.090



3 RPN Reference: 95.100.600



4 RPN Reference: 95.100.610



5 RPN Reference: 95.100.620





www.rpn.com.tr



**OPEL - RENAULT
GEARBOXES**

2

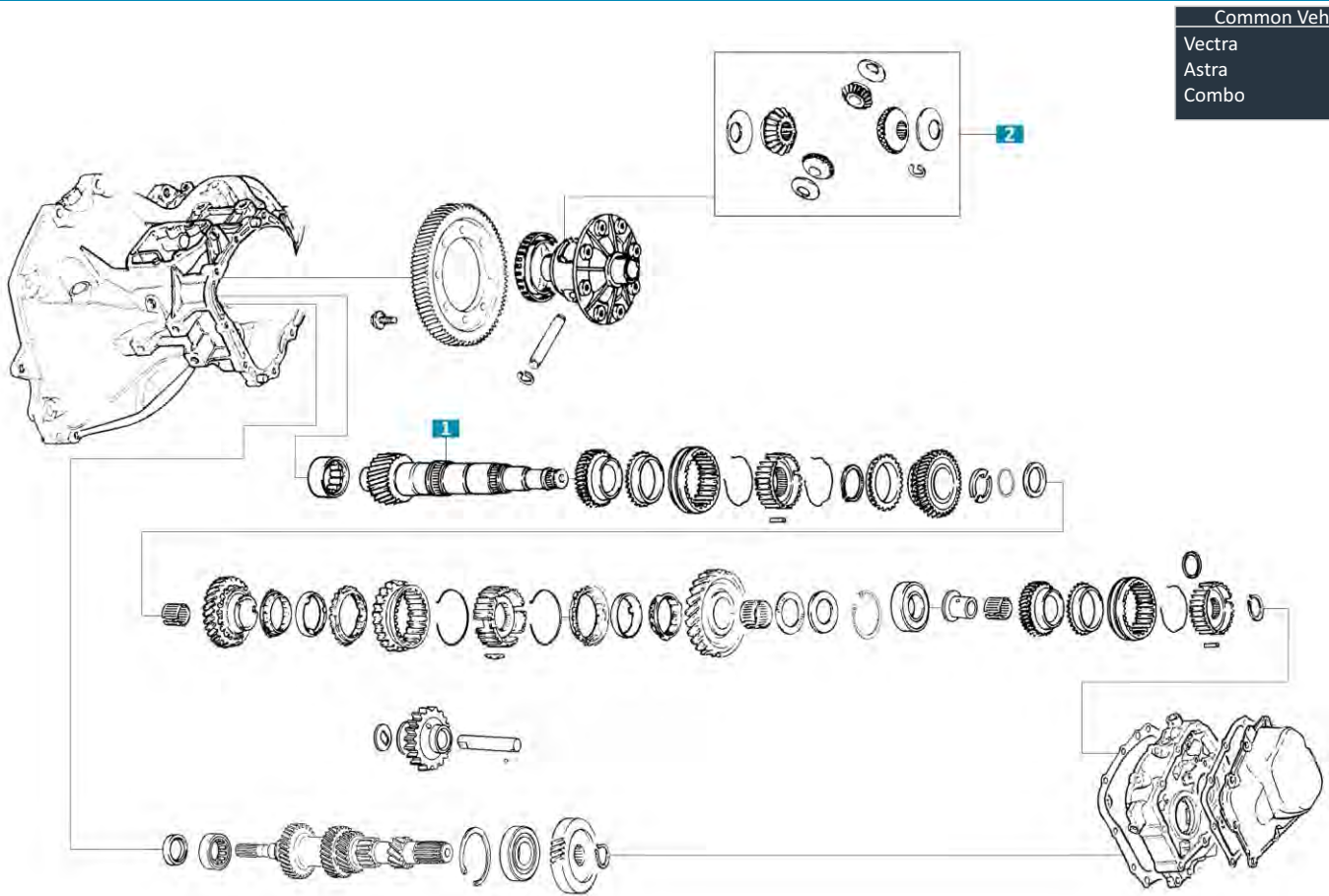
RPN Reference: 61.100.040



3

RPN Reference: 61.100.030





Common Vehicles	
Vectra	91-01
Astra	91-01
Combo	00-08

HEMA NUMBER	RPN REFERENCE	OEM REFERENCE	PART NAME	TOOTH COUNT	COUNTER GEAR	REMARKS
1	60.100.010	716065 9126411	Pinion	16		
1	61.100.020	716062 9126410	Pinion	18		Ø24 mm
1	65.100.010		Pinion	19		
1	60.100.020	5716031 55564903	Pinion	18		Ø27 mm
1	60.100.030		Pinion	19		
1	60.100.040	55564902 5716030	Pinion	16		Ø27 mm
2	61.100.300		Differential Gear Set	11-8		

1 RPN Reference: 60.100.010



1 RPN Reference: 61.100.020



1 RPN Reference: 65.100.010



1 RPN Reference: 60.100.020



1 RPN Reference: 60.100.030



1 RPN Reference: 60.100.040



2 RPN Reference: 61.100.300



1

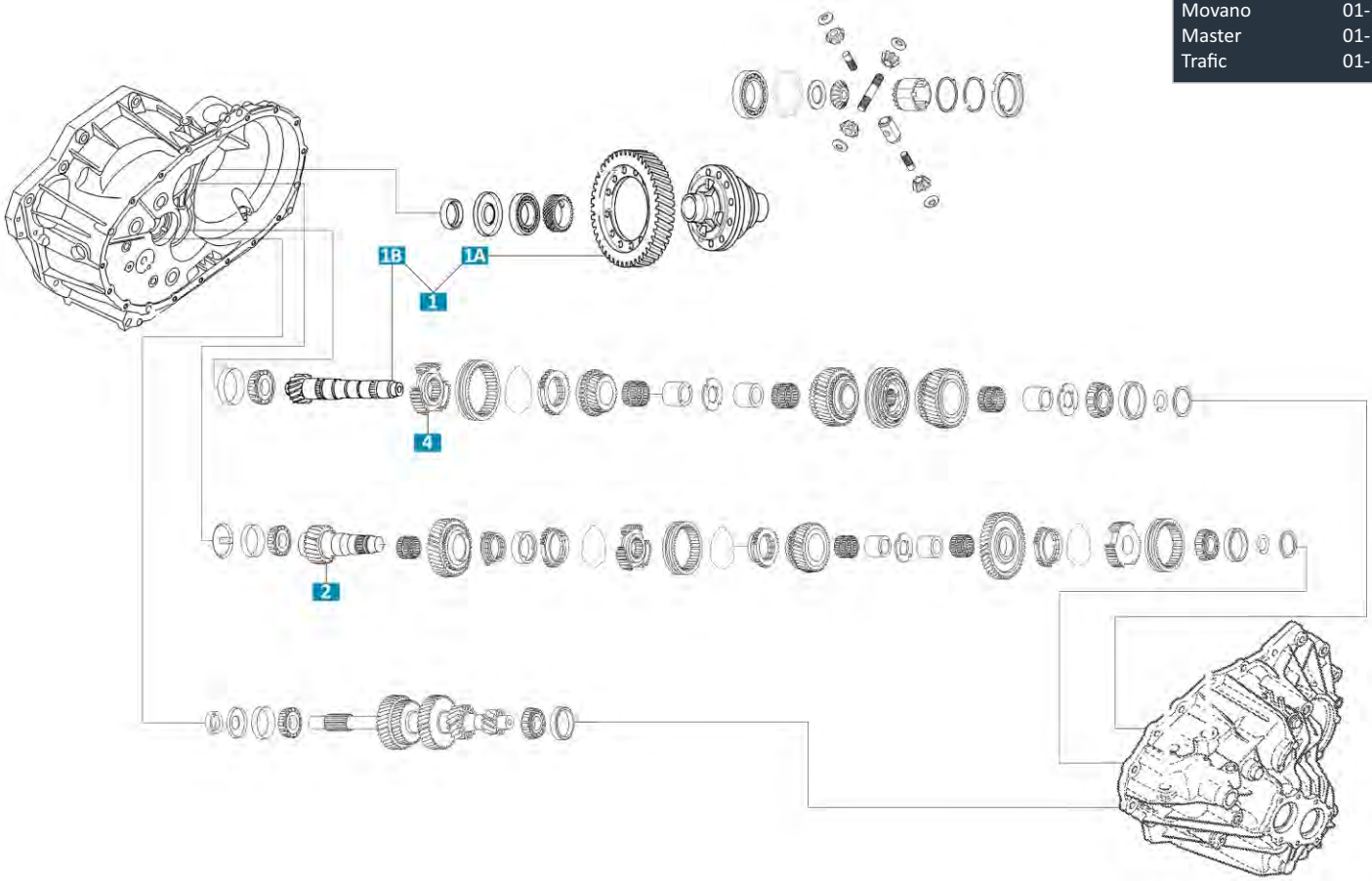
RPN Reference: 61.100.010



2

RPN Reference: 61.100.200





Common Vehicles	
Movano	01-10
Master	01-10
Traffic	01-10

HEMA NUMBER	RPN REFERENCE	OEM REFERENCE	PART NAME	TOOTH COUNT	COUNTER GEAR	REMARKS
1	1A	67.100.030	Crown Wheel	82		
	1B		Pinion	17		
2	67.100.040	5716031 55564903	Pinion	17		
4	67.100.550	9161370 4501070	Reverse - 5th Speed Synchronizing Hub			Only a part of "9161370 - 4501070"

1 RPN Reference: 67.100.030

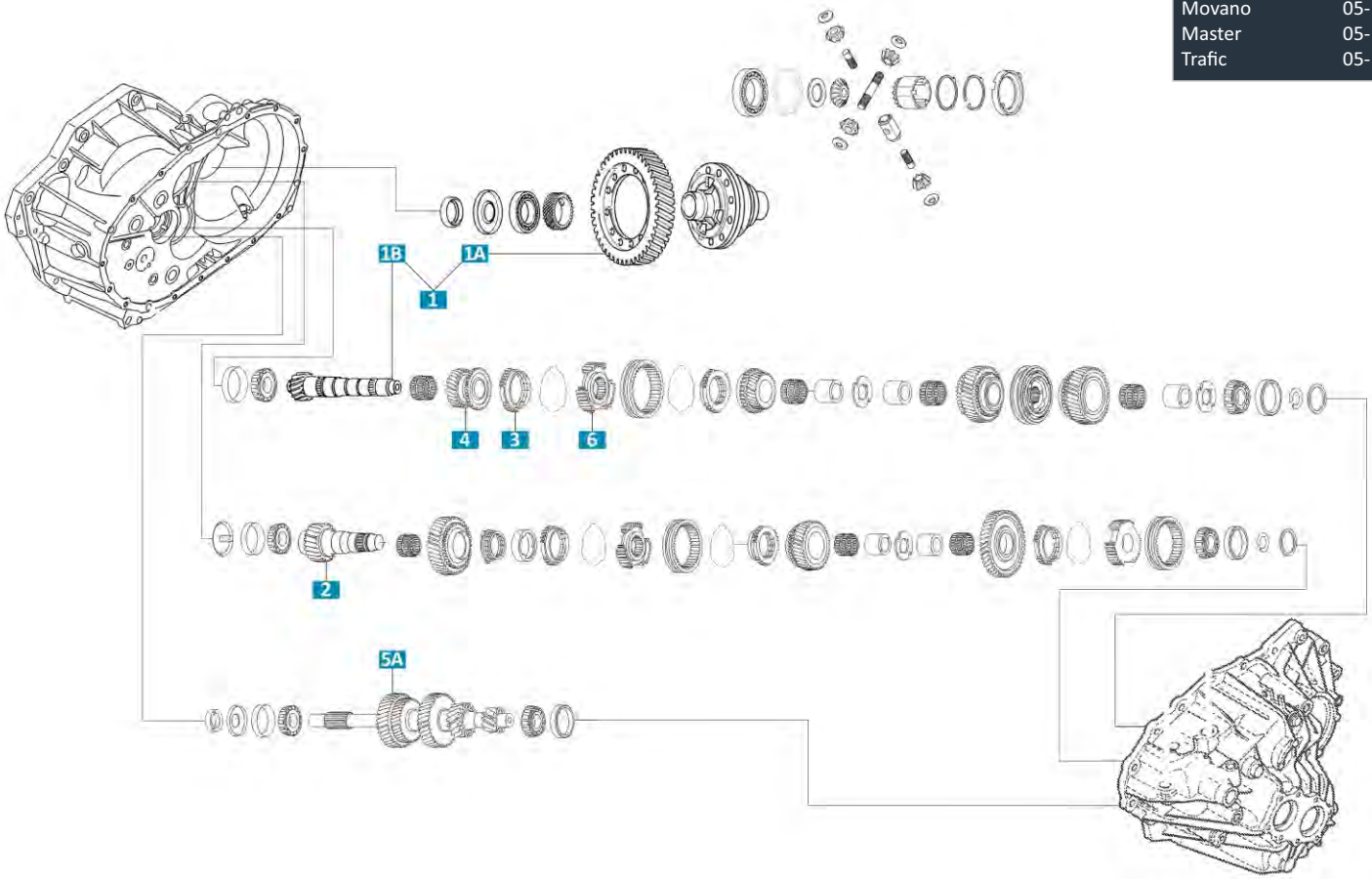


2 RPN Reference: 67.100.040



4 RPN Reference: 67.100.550





Common Vehicles	
Movano	05-
Master	05-
Traffic	05-

SHEMA NUMBER	RPN REFERENCE	OEM REFERENCE	PART NAME	TOOTH COUNT	COUNTER GEAR	REMARKS
1	1A	67.100.020	Crown Wheel	71	67.100.025	
	1B		Pinion	16		
2	67.100.025		Pinion	16	67.100.020	
3	67.100.320	9161348 4501048	6st Speed Synchronizer Ring			
4	67.100.500	4401170 9109170	6st Speed Gear	30	67.100.510	
5A	67.100.510	4416160 93185369	6st Speed Gear	47	67.100.500	35 mm Hole Diameter
5A	67.100.515	4416160 93185369	6st Speed Gear	47	67.100.500	39 mm Hole Diameter
6	67.100.550	9161370 4501070	Reverse - 5th Speed Synchronizing Hub			Only a part of "9161370 - 4501070"

1 RPN Reference: 67.100.020



2 RPN Reference: 67.100.025



3 RPN Reference: 67.100.320



4 RPN Reference: 67.100.500



5A RPN Reference: 67.100.510

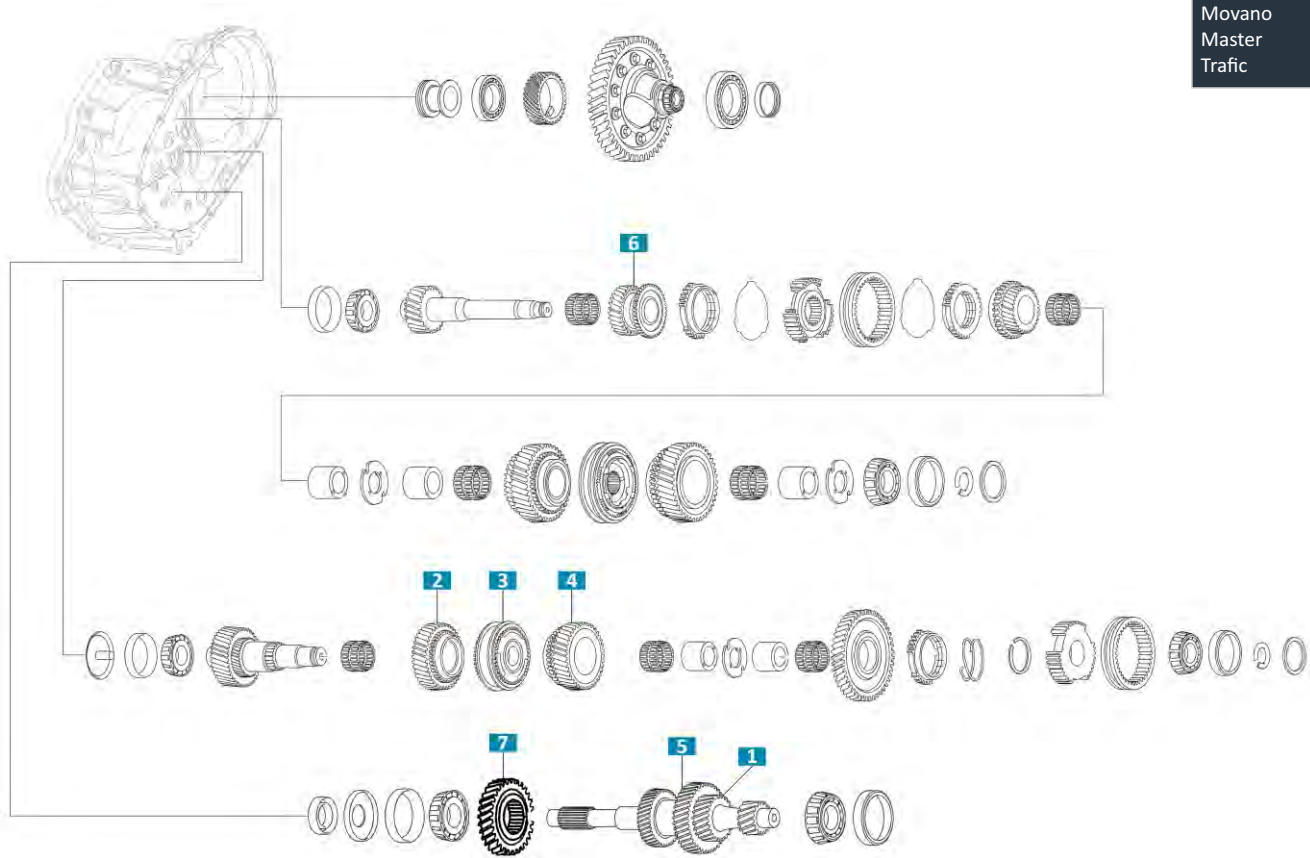


5A RPN Reference: 67.100.515



6 RPN Reference: 67.100.550





Common Vehicles	
Movano	10-
Master	10-
Traffic	10-

HEMA NUMBER	RPN REFERENCE	OEM REFERENCE	PART NAME	TOOTH COUNT	COUNTER GEAR	REMARKS
1	67.100.600		3rd Speed Gear	31	67.100.605	
2	67.100.605	93190887 4417578	3rd Speed Gear	43	67.100.600	
3	67.100.610	93190887 4417578	3rd / 4th Speed Synchronizing Hub			Only a part of "93190887-4417578"
4	67.100.615	93190887 4417578	4th Speed Gear	40	67.100.620	
5	67.100.620		4th Speed Gear	41	67.100.615	
6	67.100.630	9109170 4401170	6st Speed Gear	30	67.100.645	
6	67.100.640	93160692 4411493	6st Speed Gear	28	67.100.645	
7	67.100.645		6st Speed Gear	47	67.100.630 67.100.640	

1 RPN Reference: 67.100.600



2 RPN Reference: 67.100.605



3 RPN Reference: 67.100.610



4 RPN Reference: 67.100.615



5 RPN Reference: 67.100.620



6 RPN Reference: 67.100.630



6 RPN Reference: 67.100.640



7 RPN Reference: 67.100.645

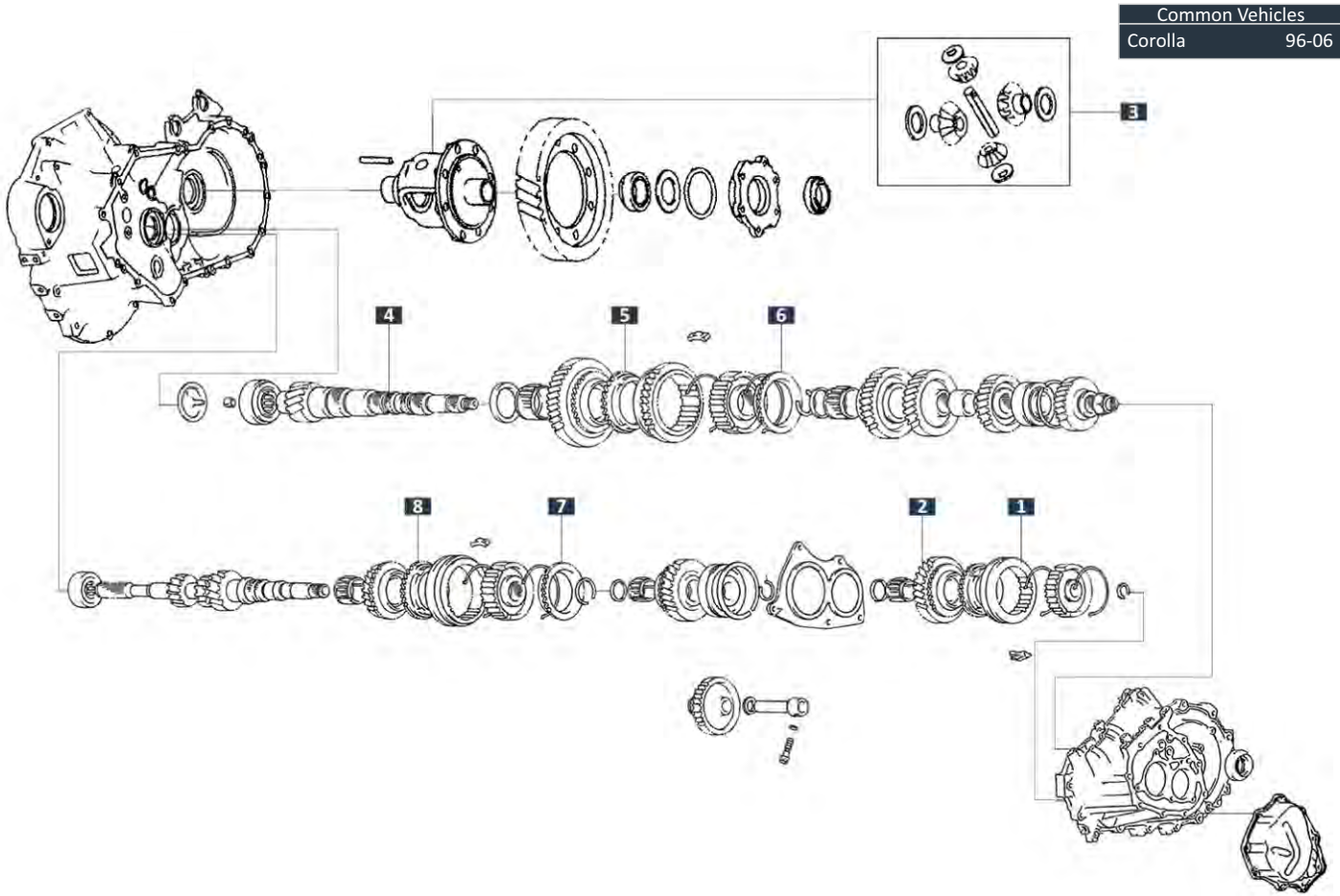




www.rpn.com.tr



**TOYOTA
GEARBOXES**



HEMA NUMBER	RPN REFERENCE	OEM REFERENCE	PART NAME	TOOTH COUNT	COUNTER GEAR	REMARKS
1	45.100.010	33395-12011	5th Speed Synchronizing Hub			
2	45.100.020	33036-12051	5th Speed Gear	38		
3	45.100.040	41039-28010	Differential Gear Set	16-10		1.6L Engine
4	45.100.050	33321-17011	Pinion	16		
5	45.100.100	33367-12050	1st Speed Synchronizer Ring			
6(1)	45.100.110	33367-12060	2nd Speed Synchronizer Ring			
6(2)	45.100.140	33367-12080	2nd Speed Synchronizer Ring			
7(1)	45.100.120	33368-12050	4th Speed Synchronizer Ring			
7(2)	45.100.160	33368-12150	4th Speed Synchronizer Ring			
8	45.100.130	33368-12090	3rd Speed Synchronizer Ring			

1 RPN Reference: 45.100.010



2 RPN Reference: 45.100.020



3 RPN Reference: 45.100.040



4 RPN Reference: 45.100.050



5 RPN Reference: 45.100.100



6 RPN Reference: 45.100.110 RPN Reference: 45.100.140



7 RPN Reference: 45.100.120 RPN Reference: 45.100.160



8 RPN Reference: 45.100.130

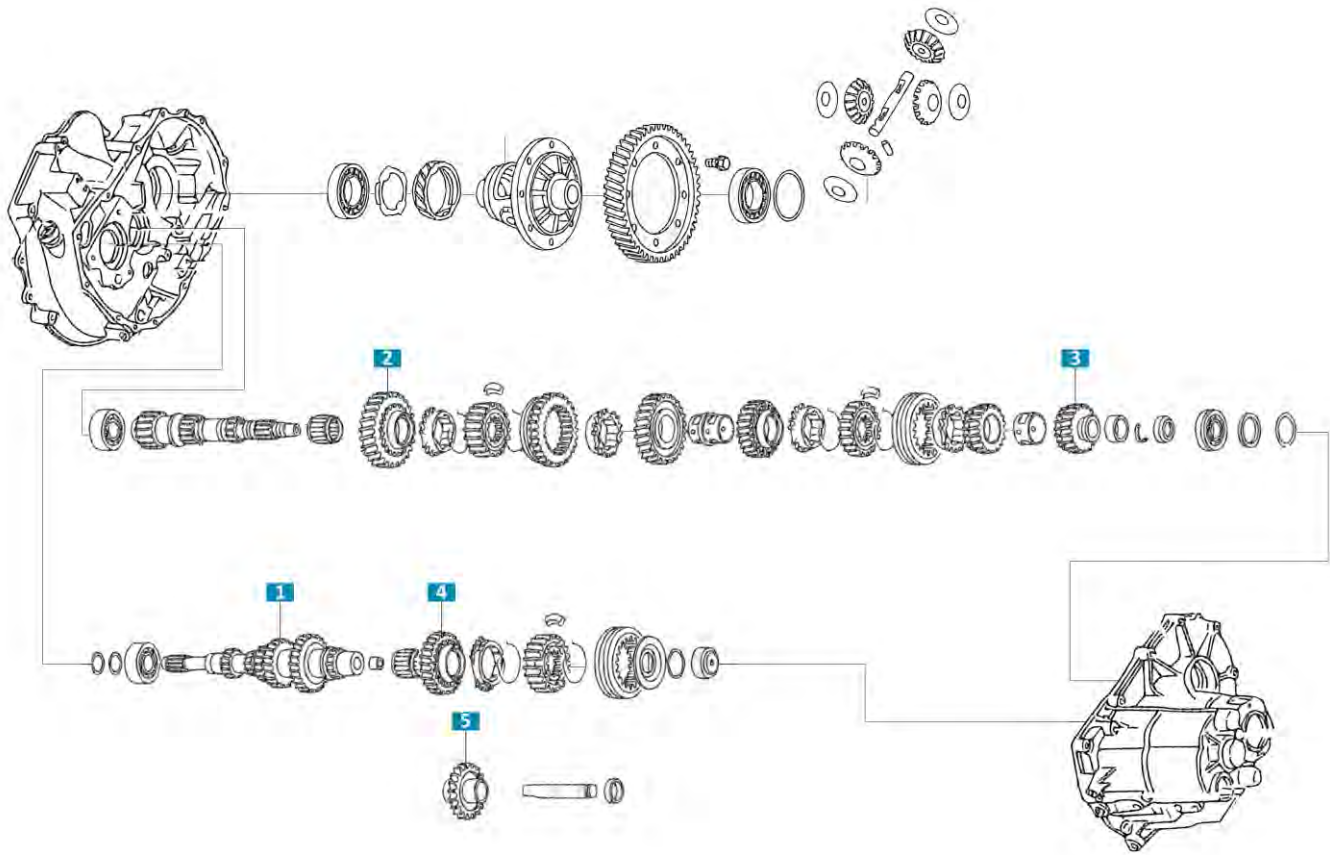




www.rpn.com.tr

The image shows a book cover for 'Nissan Gearboxes'. The central part of the cover is a solid black rectangle. On either side of this rectangle are vertical white bands. These bands feature a repeating geometric pattern of interlocking hexagons, which creates a three-dimensional effect of stacked cubes. The text 'NISSAN GEARBOXES' is printed in a bold, white, sans-serif font, centered within the black area.

NISSAN GEARBOXES



SHEMA NUMBER	RPN REFERENCE	OEM REFERENCE	PART NAME	TOOTH COUNT	COUNTER GEAR	REMARKS
1	40.100.100	3222362Y00	Input Shaft			
2	40.100.600	32230D0102	1st Speed Gear	50		
3	40.100.620	32230D0200	5th Speed Gear	34	40.100.630	
4	40.100.630	32230D0201	5th Speed Gear	45	40.100.620	
5	40.100.640	32280D0103	Reverse Gear	30		

1 RPN Reference: 40.100.100



2 RPN Reference: 40.100.600



3 RPN Reference: 40.100.620



4 RPN Reference: 40.100.630



5 RPN Reference: 40.100.640



1

RPN Reference: 40.100.500

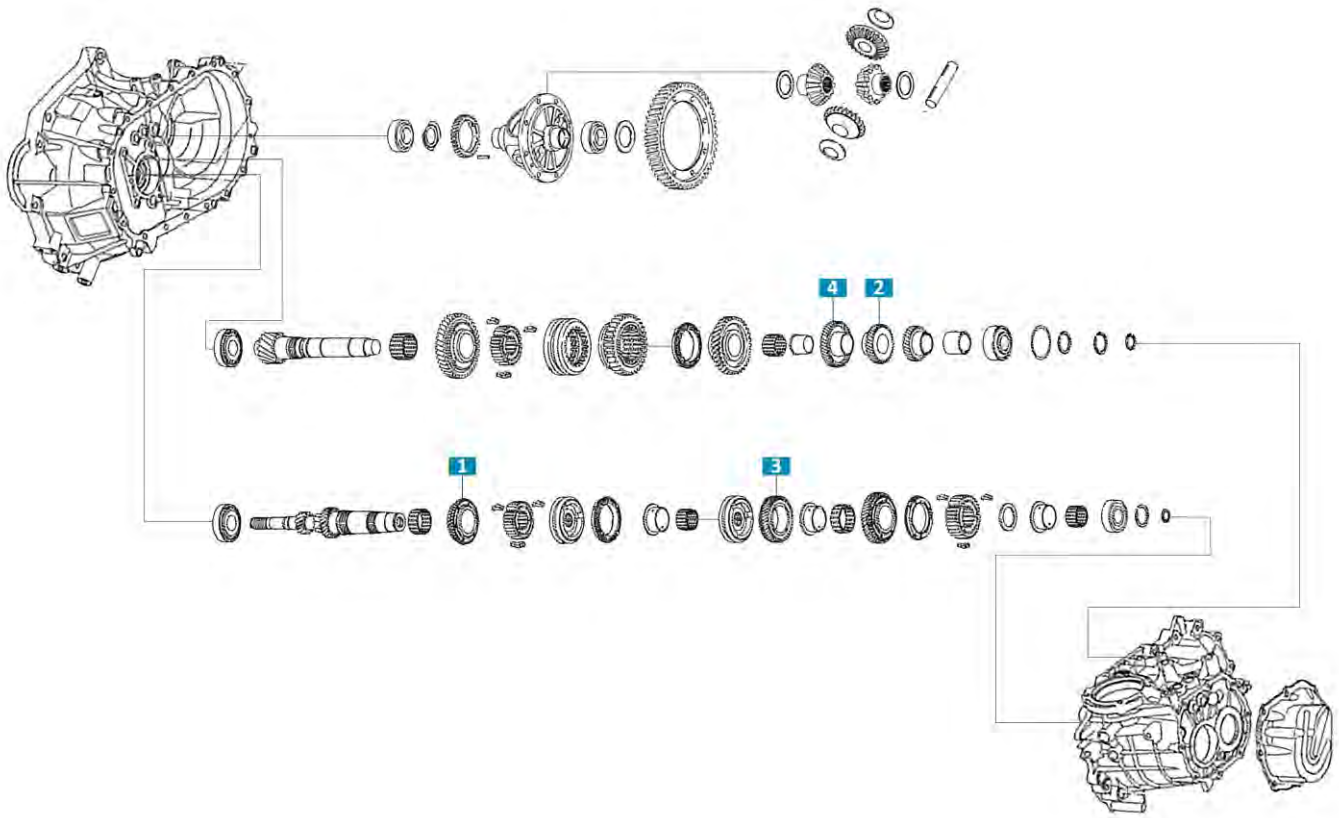




www.rpn.com.tr



HYUNDAI GEARBOXES



SEMA NUMBER	RPN REFERENCE	OEM REFERENCE	PART NAME	TOOTH COUNT	COUNTER GEAR	REMARKS
1	91.100.010	4326023240	3rd Speed Gear	27	91.100.020	
2	91.100.040	4328223240	4th Speed Gear	33	91.100.030	
3	91.100.030	4328023240	4th Speed Gear	32	91.100.040	
4	91.100.020	4326323240	3rd Speed Gear	37	91.100.010	

1 RPN Reference: 91.100.010



2 RPN Reference: 91.100.040



3 RPN Reference: 91.100.030



4 RPN Reference: 91.100.020





RPN GEARS



Fevzi akmak, 10753 No: 46
42210 Karatay / Konya / Turkey



www.rpn.com.tr



0090 332 239 0918



rpn@rpn.com.tr



rpngears



RPN Otomotiv Dış Ticaret Ltd. Şti.